

# MECHANICAL DIGITAL THROUGH DRIVE SHAFT POSITION INDICATORS

# ALFACROSS



- **5-digit h=6 mm display**  
white digits on a black background (whole)  
white digits on red background (decimals)
- **materials**  
body in PA 66 nylon  
internal kinematic mechanisms in synthetic, self-lubricating material.
- **standard hole = mm 20 H7**  
for shafts with a smaller diameter than 20 mm are available with reduction bushes
- **colours**  
orange (RAL 2004) – black (RAL 9005)
- **maximum speed**  
15,000 units/min. of the right numbered digit

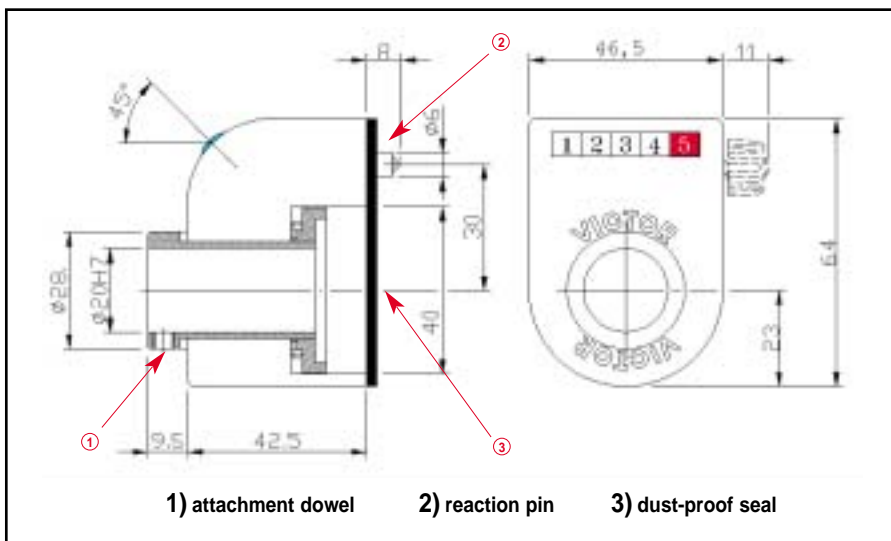
Digital 5-digit indicator for measuring and displaying a position obtained by rotating a control shaft.  
When it is fitted on adjustment shafts with a worm screw it takes the place of a vernier, eliminating the possibility of calculation errors and making reading easy.



gr. 70

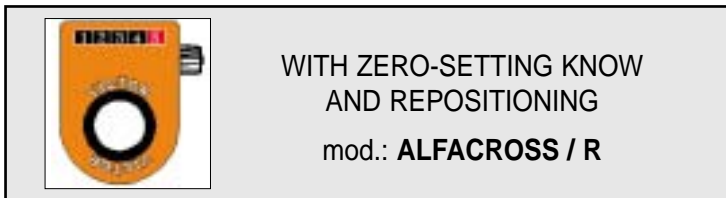
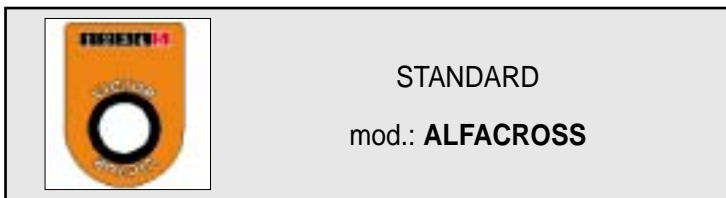


mm 70 x 50 x 56



1) attachment dowel      2) reaction pin      3) dust-proof seal

POSITION INDICATORS



## MOUNTING INSTRUCTIONS

Fit the indicator onto the drive shaft making sure that it is in the required reference point and that the indicator has been completely returned to zero.

Insert the reaction pin into a  $\varnothing 6$  mm hole, situated 30 mm from the shaft axis and tighten the attachment dowel.

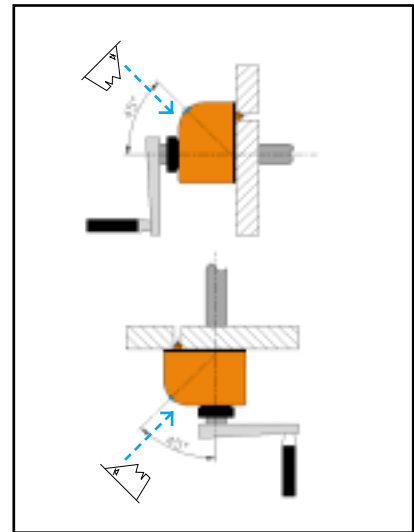
This is the correct way to mount the device onto the operating machine.



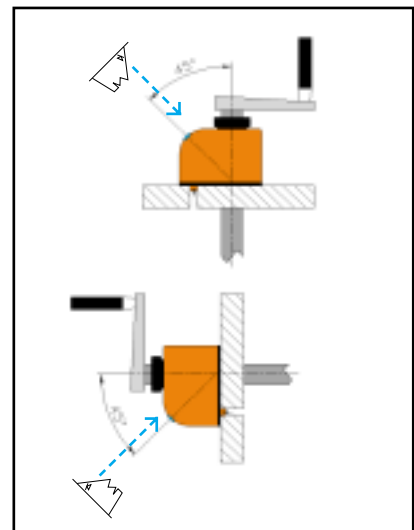
SCREW PITCH	DISPLAY INDICATION AFTER 1 TURN		MAXIMUM SPEED turns / min.
	mm	mm inches	
0.8	0000 8		200
1	001 00		150
1	0001 0	00 039 (37)	300
1.2	001 20		100
1.25	0001 2 (5)		300
1.5	0001 5		300
1.5	001 50	00 059 (05)	100
1.75	0001 7 (5)		300
2	0002 0	00 078 (74)	300
2.5	0002 5	000 09 (84)	300
3	0003 0	000 11 (81)	300
3.5	0003 5		300
4	0004 0	000 15 (74)	300
5	0005 0	000 19 (68)	300
6	0006 0	000 23 (62)	250
7.5	0007 5		200
8	0008 0		200
9	0009 0		150
10	0010 0	000 39 (37)	150
11	0011 0		100
12	0012 0		100
15	0015 0		100

• Please contact our Technical Offices for ratios that are not mentioned in this table

VIEW : A



VIEW : B



### When placing the order please specify:

- ▶ **Model** ➡ **with /without zero setting**
- ▶ **Numerical indication after 1 turn of drive shaft** ➡ **1 turn = (see table)**
- ▶ **Reading position** ➡ **View A ; View B ;**
- ▶ **Direction in which the drive shaft rotates for increasing numbering.** ➡ **D= clockwise; S= anti-clockwise**
- ▶ **Diameter of drive shaft** ➡ **Hole maximum mm 20**
- ▶ **Colour** ➡ **A= orange N= black**

### CODE INDICATIONS

	model	indication after 1 turn	reading position	rotation direction	∅ shaft in mm.	colour
<b>example of order</b>	<b>ALFACROSS</b>	<b>4,0</b>	<b>A</b>	<b>S</b>	<b>16</b>	<b>A</b>
<i>description</i>		<i>4,0</i>	<i>A</i>	<i>left</i>	<i>16</i>	<i>orange</i>



# MECHANICAL DIGITAL THROUGH DRIVE SHAFT POSITION INDICATOR

# ALFACROSS R





- **5 figures display h = mm 6**  
white figures on black background ( whole )  
white figures on red background ( decimals )

- **materials**  
nylon PA 66 body  
internal kinematic mechanism in synthetic self-lubricating material

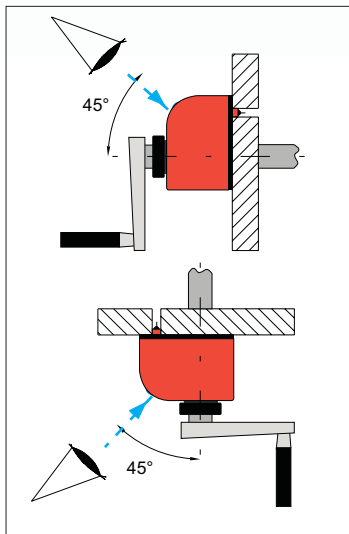
- **standard hole = mm 20 H7**  
for shaft with diameter smaller than 20 mm available with reduction bushes

- **colors**  
orange ( RAL 2004 ) - black ( RAL 2005 )

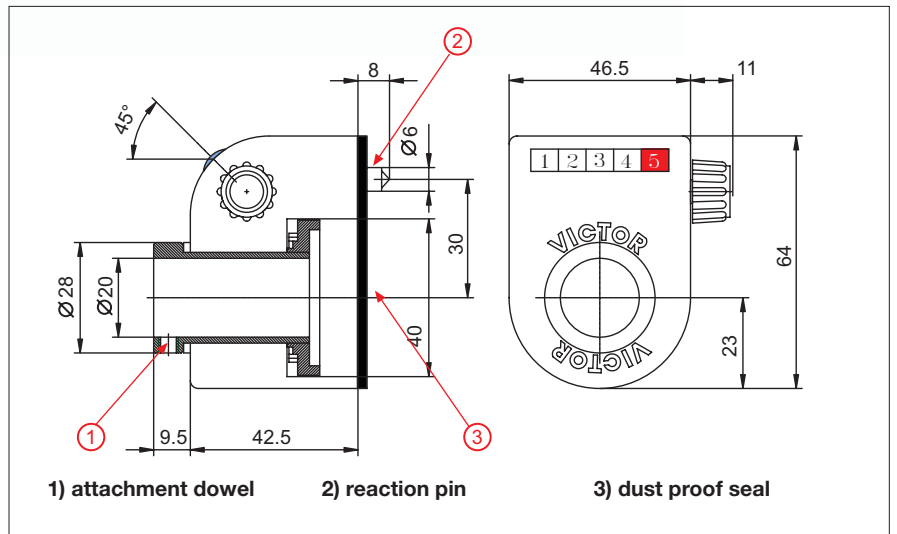
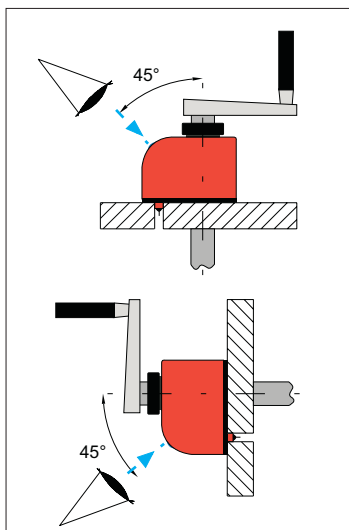
- **max speed**  
15.000 units/min of the right numbered digit

-  gr 70
-  mm 70 x 50 x 56

A VIEW



B VIEW



## ALFACROSS R MODEL

Numerical indication after 1 drive shaft turn	1 turn see table at next page
Reading position	A view or B view
Rotation direction for growing numeration	R = clockwise L = counter-clockwise
Drive shaft diameter	max hole 20
Colour	A = orange N = black

POSITION INDICATORS



Table of ratios for ALFACROSS R

SCREW PITCH	INDICATION ON DISPLAY AFTER 1 TURN		MAX SPEED
	mm	mm      pollici	
0,8	0000	8	200
1	001	00	150
1	0001	0      00 039 (37)	300
1,2	001	20	100
1,25	0001	2 (5)	300
1,5	0001	5	300
1,5	001	50      00 059 (05)	100
1,75	0001	7 (5)	300
2	0002	0      00 078 (74)	300
2,5	0002	5      000 09 (84)	300
3	0003	0      000 11 (81)	300
3,5	0003	5	300
4	0004	0      000 15 (74)	300
5	0005	0      000 19 (68)	300
6	0006	0      000 23 (62)	250
7,5	0007	5	200
8	0008	0	200
9	0009	0	150
10	0010	0      000 39 (37)	150
11	0011	0	100
12	0012	0	100
15	0015	0	100

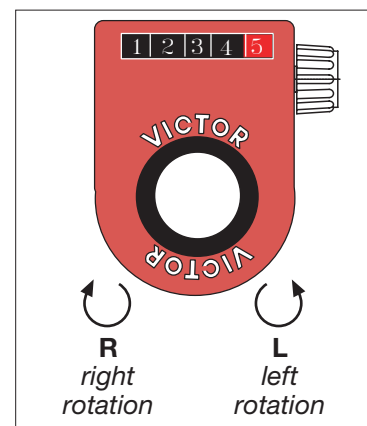
• Please keep contact to our Technical Office for all not mentioned in the upperside table

POSITION INDICATORS



Diameter range of drive shaft are from 9 mm to 20 mm

**Resettable device allow to reply zero point in different position from initial mechanical positive stop.**



**CODES INDICATION**

	model	indication after 1 turn	reading position	rotation direction	diam. shaftmm	color
<b>example of order</b>	ALFACROSS R	4,0	A	L	16	A
<b>description</b>		4,0	A	left	16	orange

