

# 5 OR 6 DIGIT STROKE COUNTER WITH RESET

## CBE 05 - 06



- **5/6 digit h = 5 mm display**  
white digits on black background
- **water-proof execution**
- **reset wheel**
- **materials**  
PA 66 Nylon body  
ABS casing  
acetalic resin internal kinematic motion devices  
command shaft in AISI 304
- **max speed**  
1,000 strokes / min.

gr. 50

mm 85 x 55 x 35

### TYPICAL APPLICATIONS

Presses - shearing machines  
knitting machines - etc..

STROKE TOTALISING COUNTERS

COD.	MOD.	COD.	MOD.	SHAFT OUTPUT	ROTAT.
FC0370/001	<b>CBE 05 DD</b>	FC0370/011	<b>CBE 06 DD</b>	right	right
FC0370/002	<b>CBE 05 DS</b>	FC0370/012	<b>CBE 06 DS</b>	right	left
FC0370/003	<b>CBE 05 SD</b>	FC0370/013	<b>CBE 06 SD</b>	left	right
FC0370/004	<b>CBE 05 SS</b>	FC0370/014	<b>CBE 06 SS</b>	left	left

⊗ 5 - digit model: **solding out**      ⊗ 6 - digit model: **up to date production**

M4 fixing screw

	CODE INDICATION		
	model	shaft output	shaft rotation
<b>example of order</b>	<b>CBE 05</b>	<b>D</b>	<b>S</b>
<i>description</i>		<i>right</i>	<i>left</i>

# CB 05

## 5-DIGIT RESETTABLE STROKE COUNTER

- **5-digit h = 6 mm display**  
white digits on black background
- **quick resetting lever**
- **sturdy execution device**
- **materials**  
die-cast zamak body  
ABS casing  
metal internal kinematic motion devices
- **max speed**  
700 strokes / min.

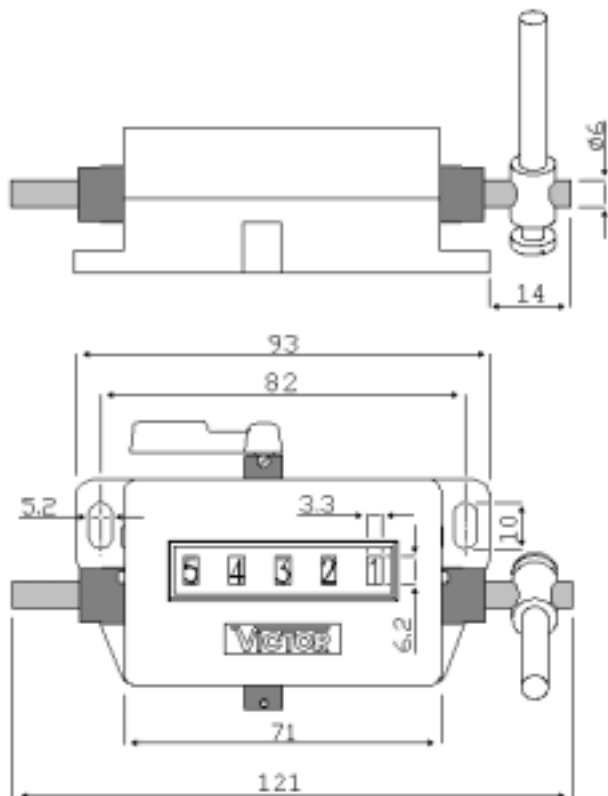


gr. 357

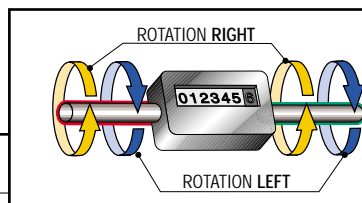
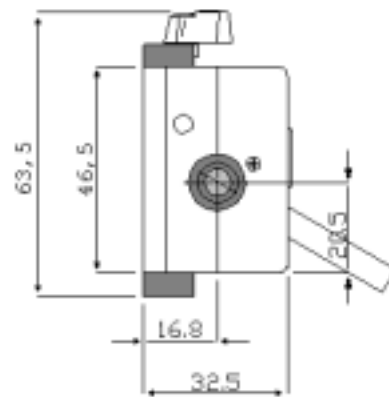
mm 125 x 65 x 35

### TYPICAL APPLICATIONS

Presses - shearing machines - printing machines - generally suited continuous processes.



COD.	MOD.	↻ ROTAT.
FC0015/001	CB 05 D	right
FC0015/002	CB 05 S	left



CODE INDICATION		
	model	shaft rotation
example of order	CB 05	S
description		left