



INCREMENTAL ROTARY ENCODERS

Series E30

- Incremental rotary encoders with or without zero pulse
- Pulses per revolution: 2 to 12500
- Small size

MECHANICAL & ENVIRONMENTAL SPECIFICATIONS

| | |
|-------------------------------------|------------------------|
| • Dimensions | See the drawing |
| • Materials: case | ABS |
| • Materials: shaft | Steel AISI 303 |
| • Weight | 70 g ca. |
| • Shaft diameter | 4 - 6 mm |
| • Revolutions/minute | 6000 |
| • Starting torque | ≤0.2 Ncm |
| • Inertia | ≤5 g cm ² |
| • Max load | 10N axial / 20N radial |
| • Vibration resistance (10÷2000 Hz) | 10 G |
| • Shock resistance (11 ms) | 30 G |
| • Protection degree | IP54 |
| • Operating temperature | -10 ÷ 60°C |
| • Stocking temperature | -20 ÷ 80°C |

ELECTRICAL & OPERATING SPECIFICATIONS

| | |
|---------------------|--|
| • Pulse code | Incremental |
| • Pulses/revolution | 2 ÷ 12500 |
| • Zero pulse | One pulse/revolution |
| • Output signals | Two square waves 90° ±15° out of phase – Zero pulse width: 90°±15° push-pull, NPN open collector, 5Vdc or 8/24Vdc line driver signals protected against short circuits |
| • Electronic output | 5Vdc or 8/24Vdc - protection against polarity reversal |
| • Supply voltage | 40 mA max |
| • Absorption | 100/150 KHz |
| • Max. frequency | |
| • Connections | Axial or radial cable 1 m long |

ORDERING INFORMATION

| | | | | |
|--|------------|------------|----------|-----------|
| E30 | 100 | 824 | 4 | PP |
| <p>ELECTRONIC OUTPUT PP Push-pull OC NPN Open Collector LD Line-driver</p> <p>SHAFT DIAMETER 6 mm 4 mm</p> <p>SUPPLY VOLTAGE 8/24 Vdc 5 Vdc</p> <p>PPR NO. 2 ÷ 12500</p> | | | | |

TYPE

E30
E31

VARIATIONS ADMITTED WITHOUT NOTICE



Automática Electrónica y Control, S.L. Lacy, 30 Acc. - 08202 Sabadell (Barcelona)
Tel 937 207 066 Fax 937 209 999 www.automatiza-elec.es info@automatiza.cat



CONNECTIONS

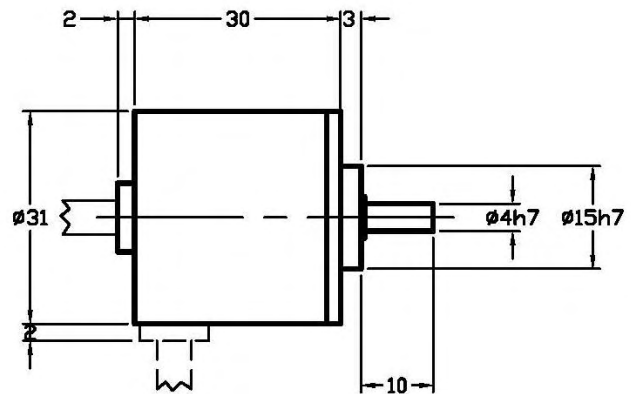
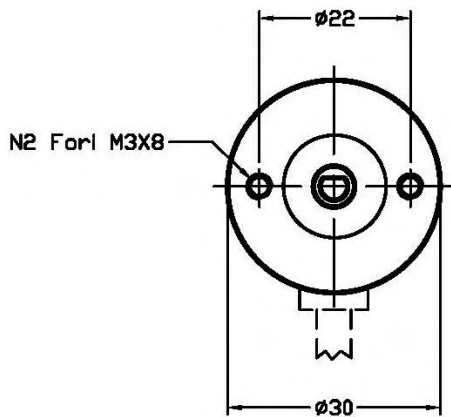
Push/Pull – NPN Open Collector Output

| SIGNALS | Cable Colours |
|------------|---------------|
| Out 1 | White |
| Out 2 | Green |
| Out Z(E31) | Yellow |
| + Vdc | Red |
| 0V | Blue |
| Earth | Shield |

Line Driver Output

| SIGNALS | Cable Colours |
|--------------------|---------------|
| Out 1 | White |
| Out 2 | Green |
| Out Z (E31) | Grey |
| + Vdc | Red |
| 0V | Blue |
| Out 1 ⁻ | Brown |
| Out 2 ⁻ | Yellow |
| Out Z ⁻ | Pink |
| Earth | Shield |

DIMENSIONS



Automática Electrónica y Control, S.L. Lacy, 30 Acc. - 08202 Sabadell (Barcelona)
Tel 937 207 066 Fax 937 209 999 www.automatrica-elec.es info@automatrica.cat