



elap E40/E41

INCREMENTAL ROTARY ENCODERS

- Incremental encoders with or without zero pulse
- Pulses/revolution range: 5 to 10000
- Different configurations available
- Accurate, reliable, strong

Series E40/E41	Series E40A/E41A	Series E40V/E41V	Series E40M/E41M
Body Ø 40 mm Round flange Shaft Ø 6 or 4 mm	Body Ø 40 mm Round flange, 4 holes on Ø 25.4 mm Shaft Ø 6 or 4 mm	Body Ø 40 mm Round flange with screw fixing M18x1 Shaft Ø 6 or 4 mm	Body Ø 40 mm Hollow shaft Ø 6 or 4 mm
ABS plastic case – Connections outlet: axial or radial cable outlet			
Metal case - Connections outlet: radial IP65 cablepress (X. version)			

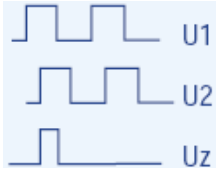
MECHANICAL & ENVIRONMENTAL SPECIFICATIONS

	E40/E41	E40A/E41A	E40V/E41V	E40M/E41M
• Materials: case shaft	ABS / aluminium (version X..) / Steel AISI 303			
• Weight	95 g ca.			
• Shaft diameter	4 or 6 mm			Joint hole: 4 or 6 mm
• Revolutions/minute	6000			
• Starting torque	≤0,2 Ncm			
• Inertia	≤5 g cm ²			
• Max load	10N axial/20N radial			
• Vibration resistance (10÷2000 Hz)	10 G			
• Shock resistance (11 ms)	30 G			
• Protection degree	IP54 (optional IP65 with metal case and cable press)			
• Operating temperature	-10 ÷ 60°C			
• Stocking temperature	-20 ÷ 80°C			

ELECTRICAL & OPERATING SPECIFICATIONS

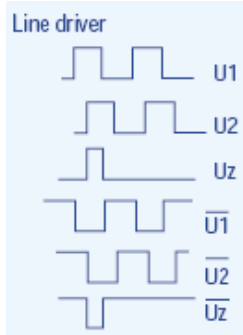
• Pulse/code	Incremental
• Number of ppr	5 ÷ 10000
• Zero pulse	1 pulse per revolution
• Output signals	Two square waves 90° ±15° out of phase – Zero pulse width: 90°±15°
• Electronic output signals	push-pull, NPN open collector, 5Vdc or 8/24Vdc line driver signals protected against short circuits
• Supply	5Vdc or 8/24Vdc - protection against polarity reversal
• Power consumption	40 mA max
• Max frequency	100/150 KHz
• Connection type	Axial or radial cable Optional: radial cablepress, 5-pin Lumberg or 9-pin Connei axial connector

ELETTRONIC SIGNALS



Supply voltage
8 ÷ 24 Vdc
5 Vdc ±5%

Signal 2 lags signal 1 with
counterclockwise rotation
(shaft sight)



Supply voltage
8 ÷ 24 Vdc
5 Vdc ±5%

Signal 2 lags signal 1 with counterclockwise
rotation (shaft sight)

CONNECTIONS

• PUSH/PULL – OPEN COLLECTOR NPN OUTPUT		• LINE DRIVER OUTPUT	
White	Signal 1	White	Signal 1
Green	Signal 2	Green	Signal 2
Yellow	0 Signal (E41/E41A/E41M/E41V)	Grey	0 Signal (E41/E41A/E41M/E41V)
Red	+ Vdc	Red	+ Vdc
Blue	0 V	Blue	0 V
Shield	Ground	Brown	Signal 1 ⁻
		Yellow	Signal 2 ⁻
		Pink	0 ⁻ Signal (E41/E41A/E41M/E41V)
		Shield	Ground

ORDERING INFORMATION

E40	100	824	6	PP
ELECTRONIC OUTPUT				
PP Push-pull				
OC Open Collector NPN				
LD Line-driver				
SHAFT DIAMETER/JOINT HOLE				
6 mm				
4 mm				
SUPPLY VOLTAGE				
8/24 Vdc				
5 Vdc				
PPR NO.				
5 ÷ 10000				
TYPE				
E40/E41				
E40A/E41A				
E40V/E41V				
E40M/E41M				

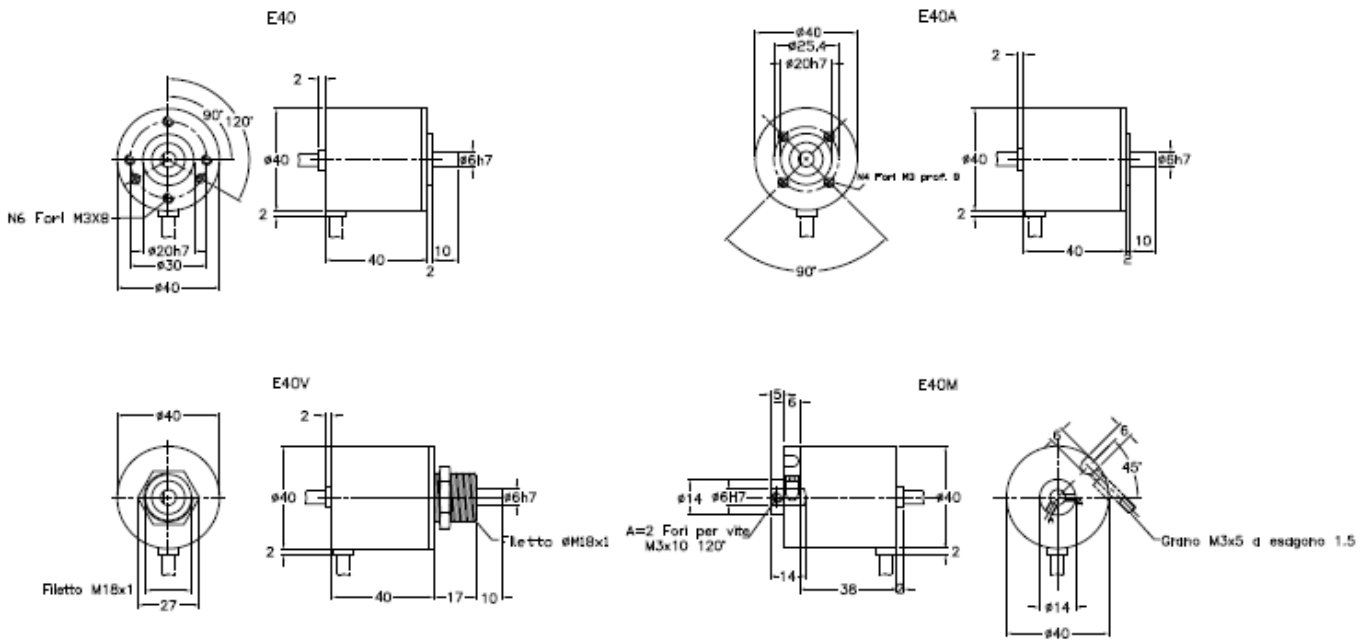
E40_ing_blu.doc giu-11



Automática Electrónica y Control, S.L. Lacy, 30 Acc. - 08202 Sabadell (Barcelona)
Tel 937 207 066 Fax 937 209 999 www.automatca-elec.es info@automatca.cat

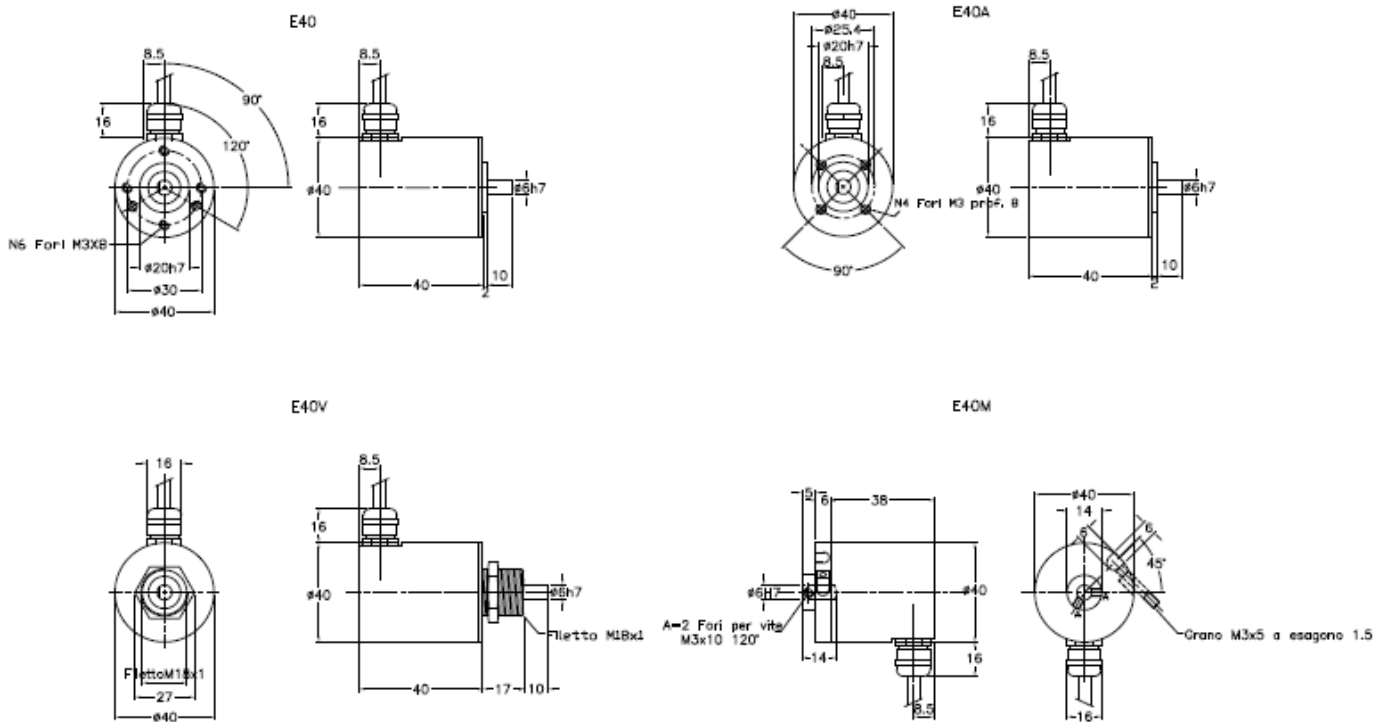
ELAP VIA VITTORIO VENETO, 4 - I-20094 CORSICO (MI) - TEL. ++39.02.4519561
FAX ++39.02.45103406 E-MAIL: INFO@ELAP.IT URL: WWW.ELAP.IT

DIMENSIONS



Dis.M1402V

Version X27 with metal case and IP65 cablepress



Dis.M1404V

