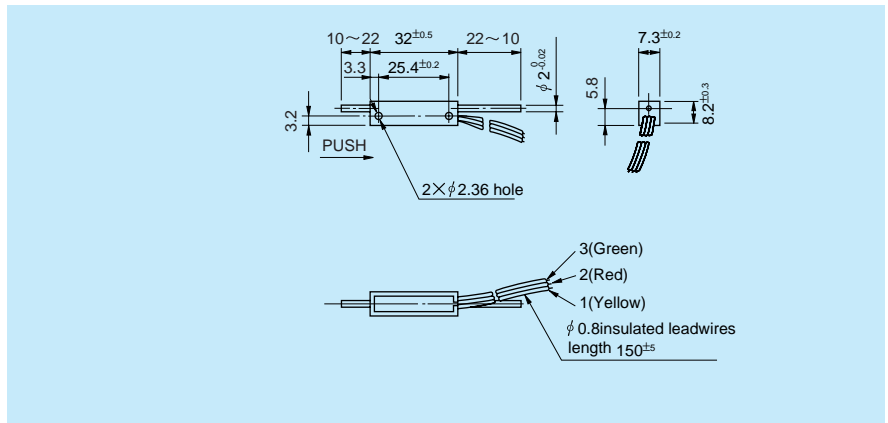


● Standard Dimensions



● General Specifications

Standard Resistance Values:	1k, 2k, 5k, 10k, 20k (Ω)
Max. Practical Resistance Value:	50k Ω
Total Resistance Tolerance:	Standard Class $\pm 15\%$ (L) Precision Class $\pm 10\%$ (K)
Independent Linearity Tolerance:	Standard Class $\pm 2.0\%$ Precision Class $\pm 1.0\%$
Resolution:	Essentially infinite
Output Smoothness:	Below 0.1% against input voltage
Contact Resistance Variation:	Below 2% C.R.V.

Power Rating:	0.2W
Electrical Stroke:	11 ± 0.5 mm
Mechanical Stroke:	12mm
Insulation Resistance:	Over 1,000M Ω at 500V.D.C.
Dielectric Strength:	1 minute at 500V.A.C.
Friction:	Below 0.3N (30gf)
Stopper Strength:	Approx. 10N (1kgf)
Resistance Temperature Coefficient:	± 400 p.p.m./ $^{\circ}$ C
Mass:	Approx. 5g

● Special Specifications Available

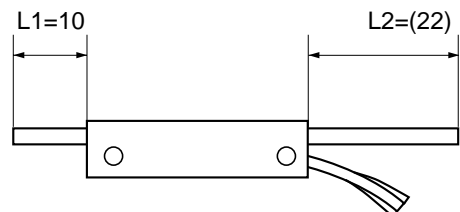
Spring return device incorporated (Friction is approx. 3N [300gf].), Special electrical stroke (8mm, 12mm), Special machining on the shaft.

● SPECIAL NOTE

When ordering on the requirement of special shaft length in case of our linear-motion potentiometers, especially models 30LP, 50LP, 8FLP and 15FLP series as standard version with front and rear shaft extension, please do not fail to specify the shaft length exactly when the shaft is completely pressed into the housing.

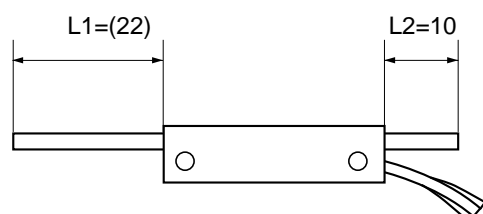
Example: In case of model 8FLP10A standard version

As you see from the above right drawing, please specify the exact length of L1 and L2 when the shaft is completely pressed into the housing.



The condition of spring returned

In case of models with spring return device, the condition of spring returned is as right drawing and please specify the exact length of L1 and L2 when the shaft is completely pressed into the housing.

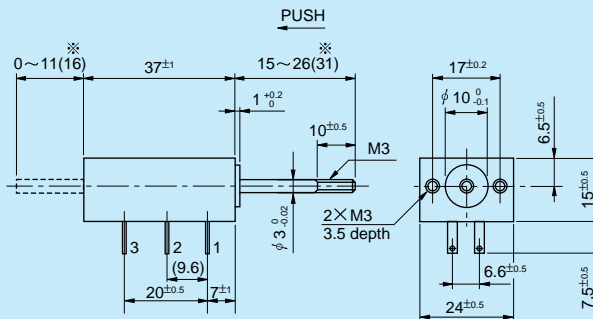




Model 15FLP15A

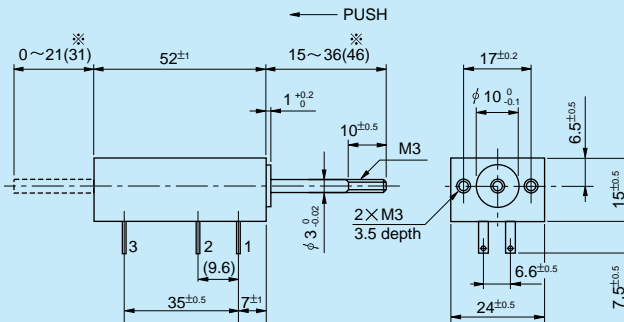
● Standard Dimensions

■ Model 15FLP10A & Model 15FLP15A



* Numerals in parentheses show those of Model 15FLP15A.

■ Model 15FLP20A & Model 15FLP30A



* Numerals in parentheses show those of Model 15FLP30A.

Note: 1. 2 pcs. each of flat-washer and hex nut are attached.
2. All terminals can be fitted with the AMP 110 series faston receptacle (2.8×0.5mm) or equivalents.

● Standard Model Nos.

15FLP10A	Stroke	10mm
15FLP15A	Stroke	15mm
15FLP20A	Stroke	20mm
15FLP30A	Stroke	30mm

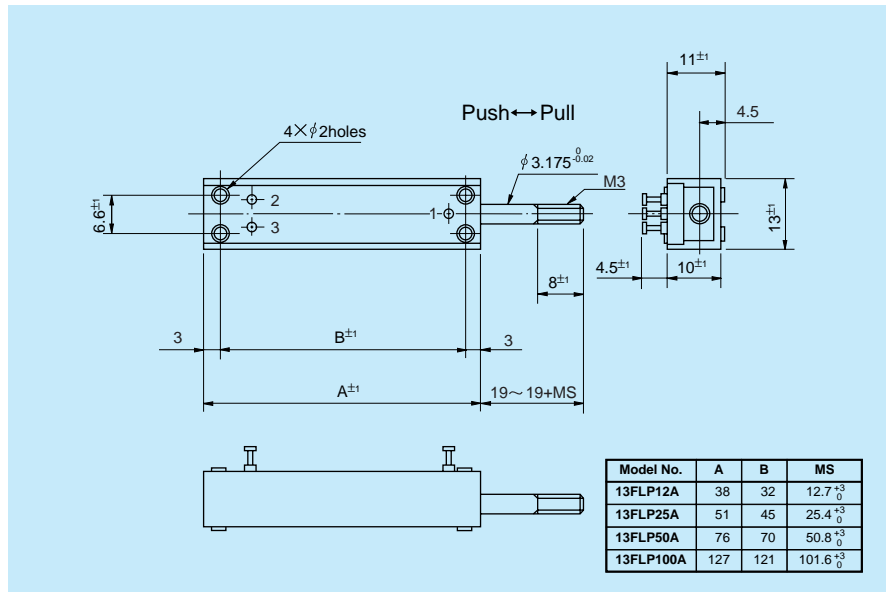
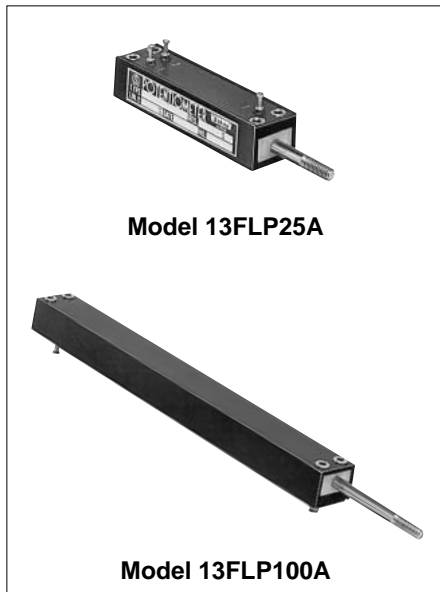
● General Specifications

Model No.		15FLP10A	15FLP15A	15FLP20A	15FLP30A
Standard Resistance Values		500,1k,2k,5k,10k (Ω)	500,1k,2k,5k,10k (Ω)	500,1k,2k,5k,10k (Ω)	500,1k,2k,5k,10k (Ω)
Total Resistance Tolerance		±10% (K)			
Independent Linearity Tolerance	Standard Class	±2.0%	±1.0%		
	Precision Class	±1.0%	±0.5%		
Resolution		Essentially Infinite			
Output Smoothness		Below 0.1% against input voltage			
Contact Resistance Variation		Below 2% C.R.V.			
Power Rating		0.2W	0.3W	0.4W	0.5W
Electrical Stroke		10±0.5mm	15±0.5mm	20±0.5mm	30±0.5mm
Mechanical Stroke (MS)		10 ⁺² / ₀ mm	15 ⁺² / ₀ mm	20 ⁺² / ₀ mm	30 ⁺² / ₀ mm
Insulation Resistance		Over 1,000MΩ at 1,000V.D.C.			
Dielectric Strength		1 minute at 1,000V.A.C.			
Friction		Below 0.3N (30gf)			
Stopper Strength		Approx. 20N (2kgf)			
Resistance Temperature Coefficient		±400p.p.m./°C			
Mass		Approx. 30g			

● Special Specifications Available

Spring return device incorporated (Friction is approx. 3N [300gf].), Special machining on the shaft.

● Standard Dimensions



● Standard Model Nos.

- 13FLP12A Stroke 12mm
- 13FLP25A Stroke 25mm
- 13FLP50A Stroke 50mm
- 13FLP100A Stroke 100mm

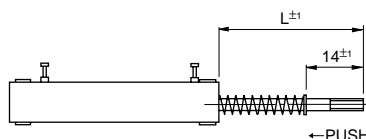
● General Specifications

Model No.		13FLP12A	13FLP25A	13FLP50A	13FLP100A
Standard Resistance Values		500,1k,2k,5k,10k (Ω)	500,1k,2k,5k,10k (Ω)	1k,2k,5k,10k,20k (Ω)	1k,2k,5k,10k,20k (Ω)
Total Resistance Tolerance		±20% (M)			
Independent Linearity Tolerance	Standard Class	±2.0%	±1.5%	±1.0%	±0.7%
	Precision Class	±1.0%	±0.7%	±0.5%	±0.3%
Resolution		Essentially Infinite			
Output Smoothness		Below 0.1% against input voltage			
Contact Resistance Variation		Below 2% C.R.V.			
Power Rating		0.2W	0.4W	0.7W	1.2W
Electrical Stroke		12.7±0.5mm	25.4±0.5mm	50.8±0.5mm	101.6±0.5mm
Mechanical Stroke (MS)		12.7 ⁺³ ₀ mm	25.4 ⁺³ ₀ mm	50.8 ⁺³ ₀ mm	101.6 ⁺³ ₀ mm
Insulation Resistance		Over 1,000MΩ at 500V.D.C.			
Dielectric Strength		1 minute at 500V.A.C.			
Friction		Below 0.5N (50gf)			Below 1.0N (100gf)
Stopper Strength		Approx. 20N (2kgf)			
Resistance Temperature Coefficient		±400p.p.m./°C			
Mass		Approx. 10g	Approx. 15g	Approx. 25g	Approx. 35g

● Special Specifications Available

Spring return device mounted on the shaft (Friction is referred as below table.), Special machining on the shaft, Wirewound resistive element type (13LP series).

In case of 13FLP series with spring return device, please note the following:
The spring return device is mounted on the outside shaft, of which dimensions are as the table.



Model No.	L	Friction
S13FLP12A	30~30+MS	3.5N (350gf)
S13FLP25A	35~35+MS	5 N (500gf)
S13FLP50A	40~40+MS	5 N (500gf)
S13FLP100A	50~50+MS	5 N (500gf)

Note: MS means Mechanical Stroke.