

● General Specifications

Standard Resistance Values:	1k, 2k, 5k, 10k (Ω)	Contact Resistance Variation:	Below 3% C.R.V.
Special Practical Resistance Values:	500, 20k, 50k, 100k (Ω)	Power Rating:	0.2W
Total Resistance Tolerance:	Standard Class ±15% (L) Precision Class ±10% (K)	Electrical Travel:	300° ±5°
Independent Linearity Tolerance:	Standard Class ±2.0% Precision Class ±1.0%	Mechanical Travel:	360° (Endless)
Resolution:	Essentially infinite	Insulation Resistance:	Over 1,000MΩ at 500V.D.C.
Output Smoothness:	Below 0.1% against input voltage	Dielectric Strength:	1 minute at 500V.A.C.
		Starting Torque:	Below 1mN•m (10gf•cm)
		Resistance Temperature Coefficient:	±400p.p.m./ °C
		Mass:	Approx. 5g

● Special Specifications Available

Extra taps (Available up to 1 tap), Shaft with front and rear extension (Rear shaft with 1mm dia. and 10mm length), With stopper (Rotating angle becomes 310° and stopper strength is 0.3N•m [3kgf•cm]), Special electrical travel, Shaft dia. (Ø3.175mm)•with inch dimensions, Special machining on the shaft.

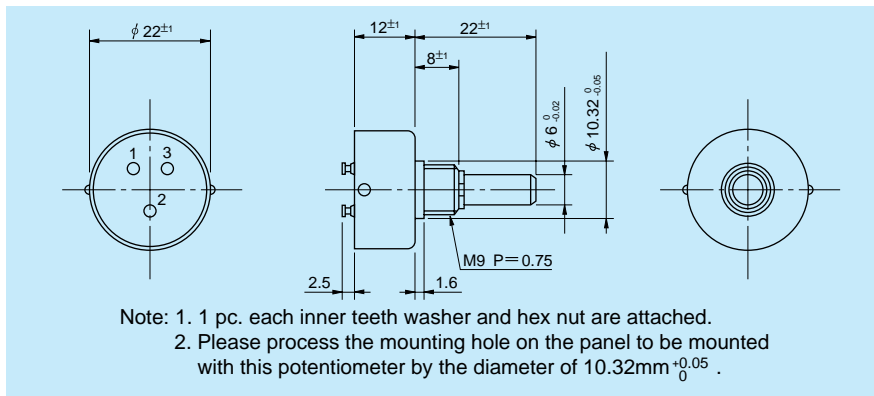
LOW-COST ITEM

Conductive Plastic

MODEL FCP22AC

(Bushingmount)

● Standard Dimensions



● General Specifications

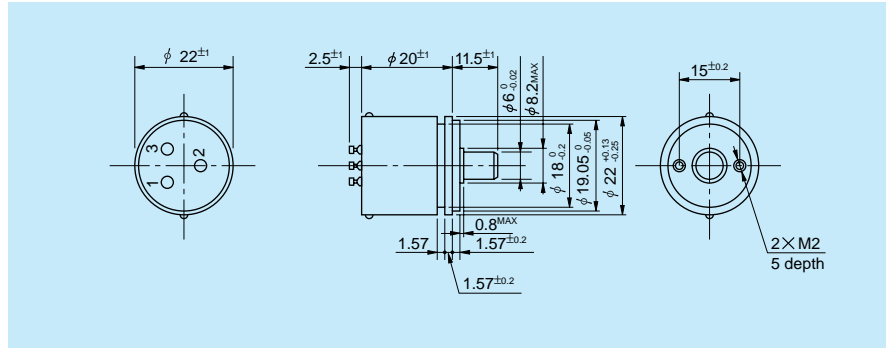
Standard Resistance Values:	1k, 2k, 5k, 10k (Ω)	Contact Resistance Variation:	Below 2% C.R.V.
Special Practical Resistance Values:	500, 20k, 50k, 100k (Ω)	Power Rating:	1.0W
Total Resistance Tolerance:	Standard Class ±15% (L) Precision Class ±10% (K)	Electrical Travel:	320° ±5°
Independent Linearity Tolerance:	Standard Class ±1.5% Precision Class ±1.0%	Mechanical Travel:	360° (Endless)
Resolution:	Essentially infinite	Insulation Resistance:	Over 1,000MΩ at 500V.D.C.
Output Smoothness:	Below 0.1% against input voltage	Dielectric Strength:	1 minute at 500V.A.C.
		Starting Torque:	Below 5mN•m (50gf•cm)
		Resistance Temperature Coefficient:	±400p.p.m./ °C
		Mass:	Approx. 30g

● Special Specifications Available

Extra taps (Available up to 1 tap), Shaft with front and rear extension (Rear shaft with 3mm dia. and 20mm length), With stopper (Rotating angle becomes 320° and stopper strength is 0.9N•m [9kgf•cm]), Special electrical travel, Shaft dia. (Ø6.35mm)•bushing with inch dimensions, Special machining on the shaft.



● Standard Dimensions



● General Specifications

Standard Resistance Values:	1k, 2k, 5k, 10k (Ω)
Special Practical Resistance Values:	500, 20k, 50k, 100k (Ω)
Total Resistance Tolerance:	Standard Class ±15% (L) Precision Class ±10% (K)
Independent Linearity Tolerance:	Standard Class ±1.0% Precision Class ±0.5%
Resolution:	Essentially infinite
Output Smoothness:	Below 0.1% against input voltage

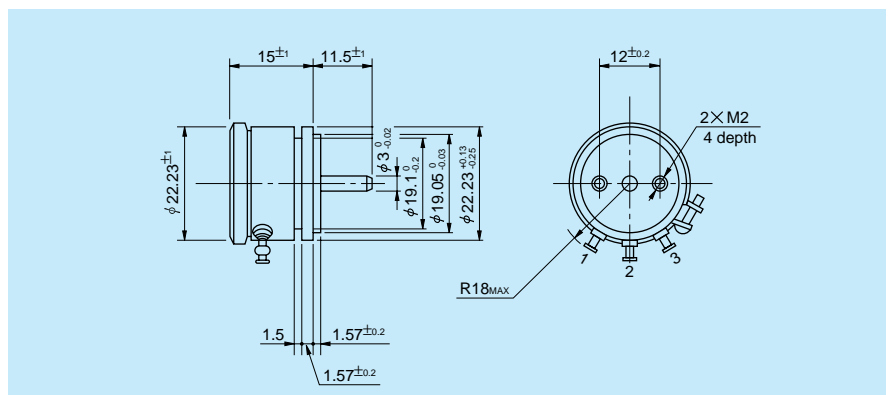
Contact Resistance Variation:	Below 2% C.R.V.
Power Rating:	1.0W
Electrical Travel:	320° ±5°
Mechanical Travel:	360° (Endless)
Insulation Resistance:	Over 1,000MΩ at 500V.D.C.
Dielectric Strength:	1 minute at 500V.A.C.
Starting Torque:	Below 5mN•m (50gf•cm)
Resistance Temperature Coefficient:	±400p.p.m./ °C
Mass:	Approx. 30g

● Special Specifications Available

Extra taps (Available up to 1 tap), Shaft with front and rear extension (Rear shaft with 3mm dia. and 20mm length), With stopper (Rotating angle becomes 320° and stopper strength is 0.9N•m [9kgf•cm]), Special electrical travel, Shaft dia. (Ø6.35mm), Special machining on the shaft, With ball bearings incorporated.

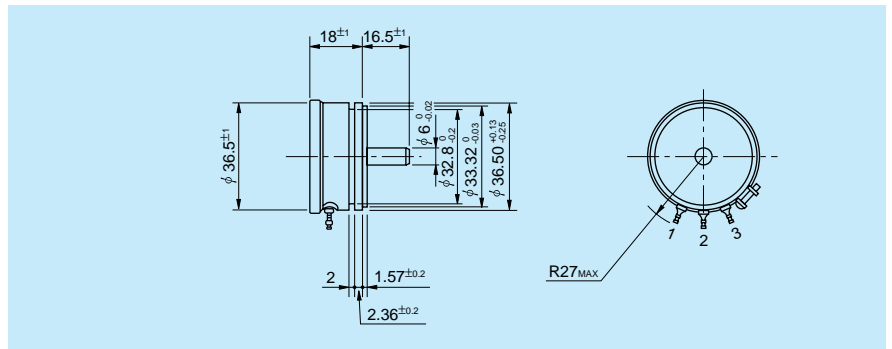


● Standard Dimensions





● **Standard Dimensions**



● **General Specifications**

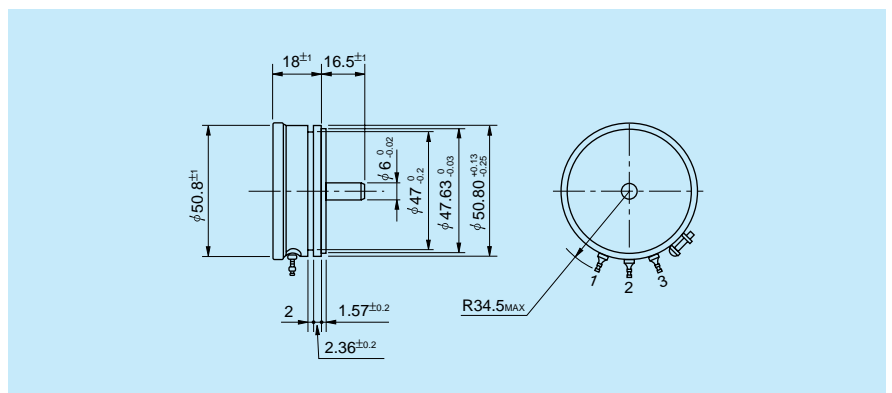
Standard Resistance Values:	1k, 2k, 5k, 10k (Ω)	Contact Resistance Variation:	Below 2% C.R.V.
Special Practical Resistance Values:	500, 20k, 50k, 100k, 200k (Ω)	Power Rating:	2.0W
Total Resistance Tolerance:	Standard Class ±10% (K)	Electrical Travel:	340° ±5°
Independent Linearity Tolerance:	Standard Class ±0.5%	Mechanical Travel:	360° (Endless)
	Precision Class ±0.25%	Insulation Resistance:	Over 1,000MΩ at 1,000V.D.C.
	Super Precision Class ±0.1%	Dielectric Strength:	1 minute at 1,000V.A.C.
Resolution:	Essentially infinite	Starting Torque:	Below 3mN•m (30gf•cm)
Output Smoothness:	Below 0.1% against input voltage	Resistance Temperature Coefficient:	±400p.p.m./°C
		Mass:	Approx. 60g

● **Special Specifications Available**

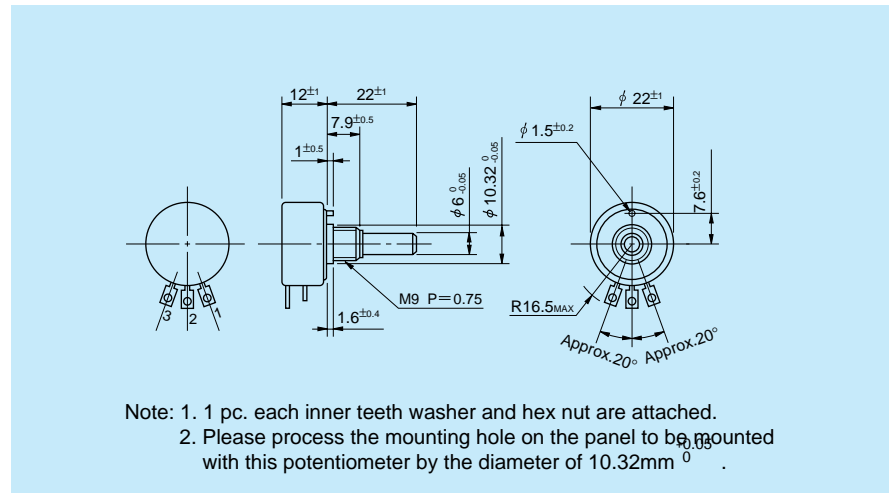
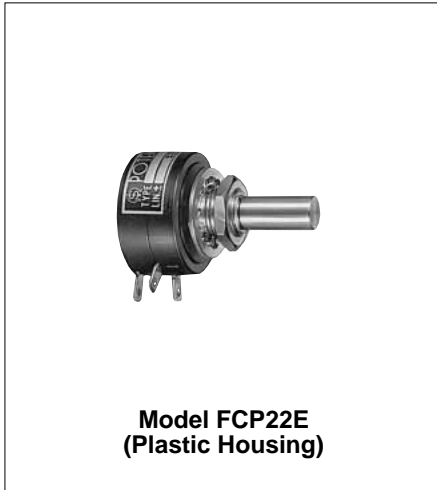
Extra taps (Available up to 3 taps), Multi-ganged (Available up to 7 gangs, Housing length is extended by 12mm per 1 gang), Shaft with front and rear extension (Rear shaft with 6mm dia. and 15mm length), With stopper (Rotating angle becomes 320° and stopper strength is 0.9N•m [9kgf•cm]), Special electrical travel, Shaft dia. (∅6.35mm) with inch dimensions, Special machining on the shaft.



● **Standard Dimensions**



● Standard Dimensions



● General Specifications

Standard Resistance

Values: 1k, 2k, 5k, 10k (Ω)

Special Practical

Resistance Values: 500, 20k, 50k, 100k (Ω)

Total Resistance

Tolerance: Standard Class $\pm 15\%$ (L)
Precision Class $\pm 10\%$ (K)

Independent Linearity

Tolerance: Standard Class $\pm 1.5\%$
Precision Class $\pm 1.0\%$

Resolution:

Essentially infinite

Output Smoothness: Below 0.1% against input voltage

Contact Resistance

Variation: Below 2% C.R.V.

Power Rating: 1.0W

Electrical Travel: $320^\circ \pm 5^\circ$

Mechanical Travel: 360° (Endless)

Insulation Resistance: Over 1,000M Ω at 500V.D.C.

Dielectric Strength: 1 minute at 500V.A.C.

Starting Torque: Below 5mN•m (50gf•cm)

Resistance

Temperature

Coefficient: ± 400 p.p.m./ $^\circ\text{C}$

Mass: Approx. 20g

● Special Specifications Available

Extra taps (Available up to 1 tap), Shaft with front and rear extension (Rear shaft with 6mm dia. and 20mm length), Multi-ganged (Available up to 10 gangs), With stopper (Rotating angle becomes 320° and stopper strength is 0.6N•m [6kgf•cm]), Special electrical travel, Shaft dia. ($\varnothing 6.35$ mm)•bushing with inch dimensions, Special machining on the shaft.