

DTS-Ex 7641

Cooling unit 3000 W



Cooling unit for use in areas where there is a danger of gas explosions, categories 2G and 3G (Zone 1 and Zone 2), II 2 G Ex px IIB, for use on overpressure encapsulated control cabinets.

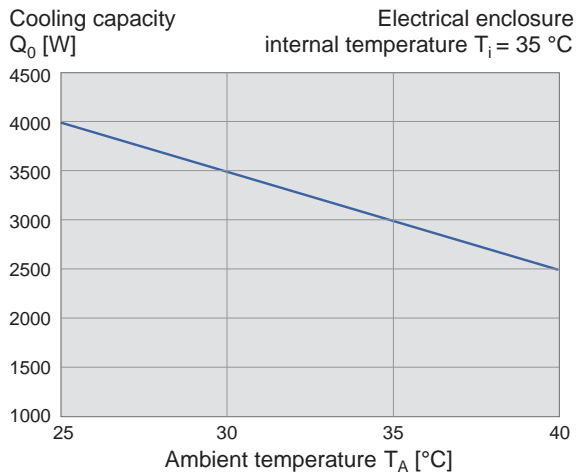
- One mounting cut-out for 3 cooling performance ratings
- High protection system (IP 65)
- Overpressure encapsulation EExP (overpressure-proof facilities or supply facilities not included in the scope of delivery)
- Stainless steel housing
- Approval number: TÜV 04 ATEX 2484U

Data		DTS-Ex 7641	Unit
Article number	DTS standard controller	13717632000	
		AC 50 Hz	
Rated voltage ± 10 %		400 3~	V
Cooling performance according to EN 14511	L35/L35	3000	W
	L35/L40	2500	
Power consumption	L35/L35	1200	
Current consumption	L35/L35	2.4	A
Starting current	L35/L35	20.5	
Unimpeded airflow (free flow)	internal	885	m³/h
	external	1950	
Pre fuse T		6	A
Type of connection		spring-type terminal included with plug	
Noise level (according to EN ISO 3741)		< 84	dB(A)
Weight (without packaging)		110	kg
Ambient temperature range		-30 ... +40 / +22 ... +104	°C / °F
Control range (adjustable)	SC	+25 ... +45 / +77 ... +113; factory setting +35 / +95	
Refrigerant	type	R134a	
	quantity	1400	g
Duty cycle		100%	
Condensate management		condensate drain	
Protection system according to EN 60529	IP 65	towards the electrical enclosure if used as intended by the manufacturer	
	IP 55	towards the surroundings if used as intended by the manufacturer	
Design	housing	stainless steel V2A	
	cover	aluminium	
Purge air connection		BSSPP ½" internal pipe thread	

Approvals see page 13

Cooling capacity performance curve

DTS-Ex 7641

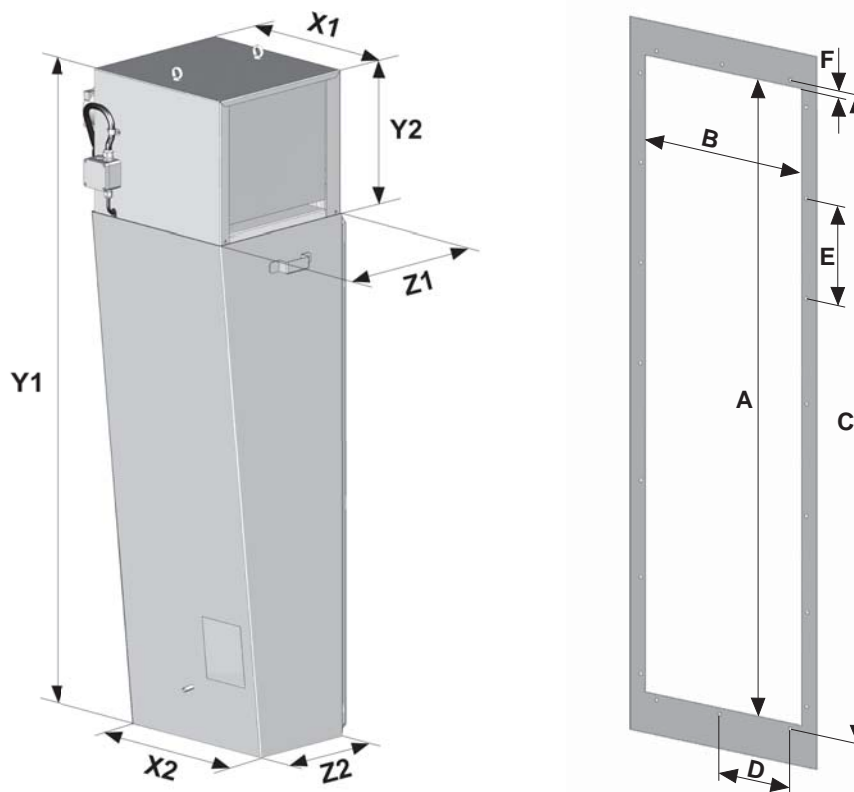


Dimensions

	X1	Y1	Z1	X2	Y2	Z2	A	B	C	D	E	F
mm	475	1804	452	475	390	305	1332	409	1352	171	200	10

Mounting holes \varnothing 8 mm

DTS-Ex 7641



DTS-Ex 7541**Cooling unit 2500 W****DTS-Ex 7341****Cooling unit 1800 W**

Cooling units for use in areas where there is a danger of gas explosions, categories 2G and 3G (Zone 1 and Zone 2), II 2 G Ex px IIB, for use on overpressure encapsulated control cabinets.

- One mounting cut-out for 3 cooling performance ratings
- High protection system (IP 65)
- Overpressure encapsulation EExP (overpressure-proof facilities or supply facilities not included in the scope of delivery)
- Stainless steel housing
- Approval number: TÜV 04 ATEX 2484U

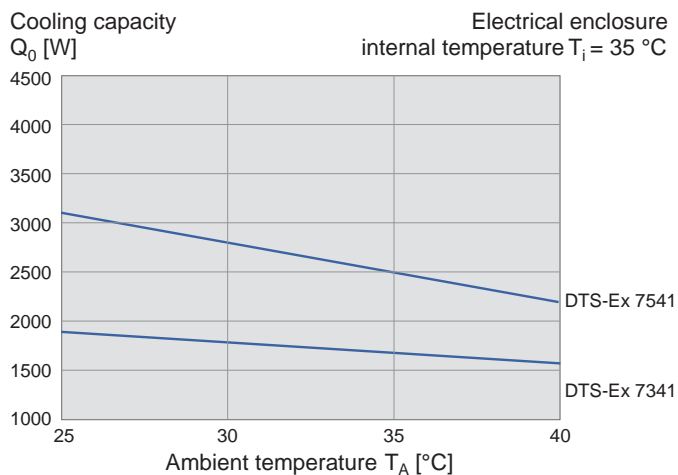


Data		DTS-Ex 7541		DTS-Ex 7341		Unit
Article number	DTS standard controller	13717532000	13717541000	13717332000	13717341000	
AC 50 Hz / 60 Hz						
Rated voltage ± 10 %		400 3~ ¹	230	400 3~ ¹	230	V
Cooling performance according to EN 14511	L35/L35	2500		1800		W
	L35/L40	2200		1600		
Power consumption	L35/L35	960	890	710	610	A
Current consumption	L35/L35	2.3	4.5	2.1	3.6	
Starting current	L35/L35	20.8	31.8	20	18.7	
Unimpeded airflow (free flow)	internal	885	860	860		m ³ /h
	external	1950				
Pre fuse T		6	10	6		A
Type of connection		spring-type terminal included with plug				
Noise level (according to EN ISO 3741)		< 84				dB(A)
Weight (without packaging)		110	102	105	102	kg
Ambient temperature range		-30 ... +40 / +22 ... +104				°C /°F
Control range (adjustable)		SC + 25 ... + 45 / + 77 ... + 113; factory setting + 35 / + 95				
Refrigerant	type	R134a				
	quantity	1400				
Duty cycle		100 %				
Condensate management		condensate drain				
Protection system according to EN 60529	IP 65	towards the electrical enclosure if used as intended by the manufacturer				
	IP 55	towards the surroundings if used as intended by the manufacturer				
Design	housing	stainless steel V2A				
	cover	aluminium				
Purge air connection		BSPP ½" internal pipe thread				

¹ available in 50 Hz only
Approvals see page 13

Cooling capacity performance curve

DTS-Ex 7541 / DTS-Ex 7341



Dimensions

	X1	Y1	Z1	X2	Y2	Z2	A	B	C	D	E	F
mm	475	1804	452	475	390	305	1332	409	1352	171	200	10

Mounting holes \varnothing 8 mm

DTS-Ex 7541 / DTS-Ex 7341

