

DTS 3661 (NEMA 3R/4)

Cooling unit 5500 W

DTS 3681 (NEMA 4/4X)

Cooling unit 5500 W



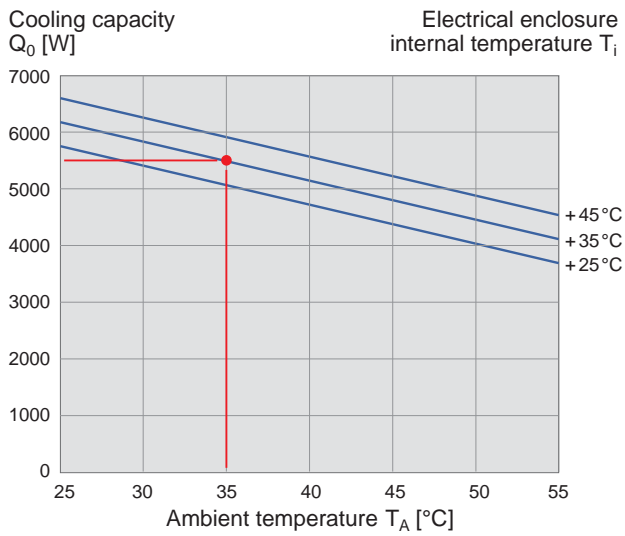
- Particularly suitable for the food industry and outdoor applications
- High protection system IP 56, maintenance-free
- Optionally available in stainless steel
- Condenser with 3 mm fin spacing, highly effective protection against strongly contaminated and aggressive ambient air
- Large distance between intake and exhaust vents, safe circulation within the electrical enclosure due to long passage of air, therefore hot spots are eliminated
- Integrated condensate evaporation system

Data		DTS 3661 (NEMA 3R / 4)	DTS 3681 (NEMA 4 / 4X)	Unit
Article number	DTS standard controller	13383932355	13383932158	
		AC 50 Hz / 60 Hz		
Rated voltage ± 10 %		400 / 460 3~		V
Cooling performance according to EN 14511	L35/L35	5500		W
	L35/L50	4400		
Power consumption	L35/L35	2275 / 2920		
Current consumption	L35/L35	6.3		A
Starting current	L35/L35	25		
Unimpeded airflow (free flow)	internal	2740		m³/h
	external	2740		
Pre fuse T		10		A
Type of connection		spring-type terminal included with plug		
Noise level (according to EN ISO 3741)		< 73		dB(A)
Weight (without packaging)		108	109	kg
Ambient temperature range		+ 15 ... + 55 / + 59 ... + 131		°C / °F
Control range (adjustable)	SC	+ 25 ... + 45 / + 77 ... + 113; factory setting + 35 / + 95		
Refrigerant	type	R134a		
	quantity	1300		g
Duty cycle		100 %		
Condensate management		integrated condensate evaporation system with safety overflow		
Protection system according to NEMA type	3R / 4	towards the electrical enclosure if used as intended by the manufacturer	-	
	4 / 4X	-	towards the electrical enclosure if used as intended by the manufacturer	
	1	towards the surroundings if used as intended by the manufacturer		
Design	housing	galvanised sheet steel		
	cover	galvanised/electrostatically powder coated (200 °C)	304 rust proof stainless steel	
Colour (cover)		RAL 7035 ¹	-	
Accessories	Piece	Article number		Information on page
Condensate bottle	1	18314000100		59

¹ different colours available on request
Approvals see page 13

Cooling capacity performance curve

DTS 3661/3681

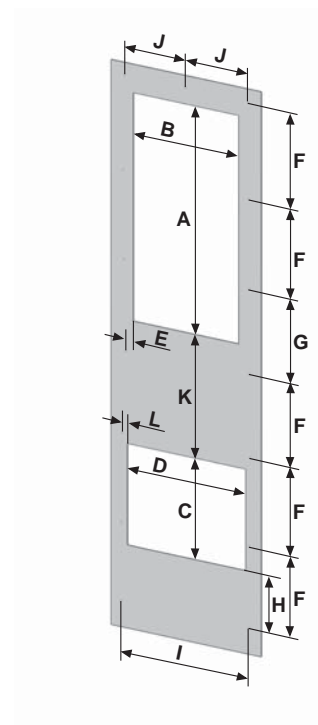
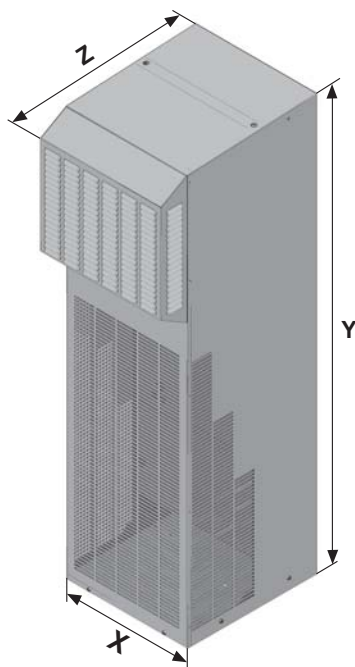


Dimensions

	X	Y	Z	A	B	C	D	E	F	G	H	I	J	K	L
mm	483	1667	623	635	350	285	360	35	240	350	139	420	210	425	28.5

Mounting holes \varnothing 10 mm

DTS 3661/3681



DTS 3561 (NEMA 3R/4)

Cooling unit 4000 W

DTS 3581 (NEMA 4/4X)

Cooling unit 4000 W



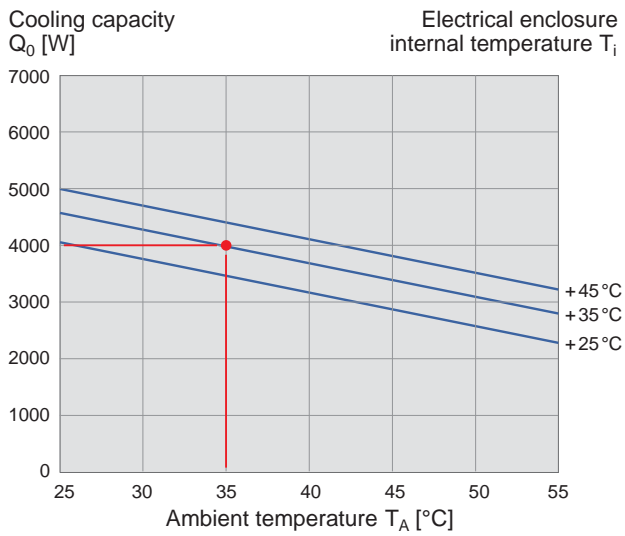
- Particularly suitable for the food industry and outdoor applications
- High protection system IP 56, maintenance-free
- Optionally available in stainless steel
- Condenser with 3 mm fin spacing, highly effective protection against strongly contaminated and aggressive ambient air
- Large distance between intake and exhaust vents, safe circulation within the electrical enclosure due to long passage of air, therefore hot spots are eliminated
- Integrated condensate evaporation system

Data		DTS 3561 (NEMA 3R / 4)	DTS 3581 (NEMA 4 / 4X)	Unit
Article number	DTS standard controller	13383532355	13383532158	
		AC 50 Hz / 60 Hz		
Rated voltage ± 10 %		400 / 460 3~		V
Cooling performance according to EN 14511	L35/L35	4000		W
	L35/L50	3100		
Power consumption	L35/L35	1365 / 1815		
Current consumption	L35/L35	4.4		A
Starting current	L35/L35	16		
Unimpeded airflow (free flow)	internal	1340		m³/h
	external	2380		
Pre fuse T		10		A
Type of connection		spring-type terminal included with plug		
Noise level (according to EN ISO 3741)		< 72		dB(A)
Weight (without packaging)		104	105	kg
Ambient temperature range		+ 15 ... + 55 / + 59 ... + 131		°C / °F
Control range (adjustable)	SC	+ 25 ... + 45 / + 77 ... + 113; factory setting + 35 / + 95		
Refrigerant	type	R134a		
	quantity	1200		g
Duty cycle		100 %		
Condensate management		integrated condensate evaporation system with safety overflow		
Protection system according to NEMA type	3R / 4	towards the electrical enclosure if used as intended by the manufacturer	-	
	4 / 4X	-	towards the electrical enclosure if used as intended by the manufacturer	
	1	towards the surroundings if used as intended by the manufacturer		
Design	housing	galvanised sheet steel		
	cover	galvanised/electrostatically powder coated (200 °C)	304 rust proof stainless steel	
Colour (cover)		RAL 7035 ¹	-	
Accessories		Piece	Article number	Information on page
Condensate bottle		1	18314000100	59

¹ different colours available on request
Approvals see page 13

Cooling capacity performance curve

DTS 3561/3581

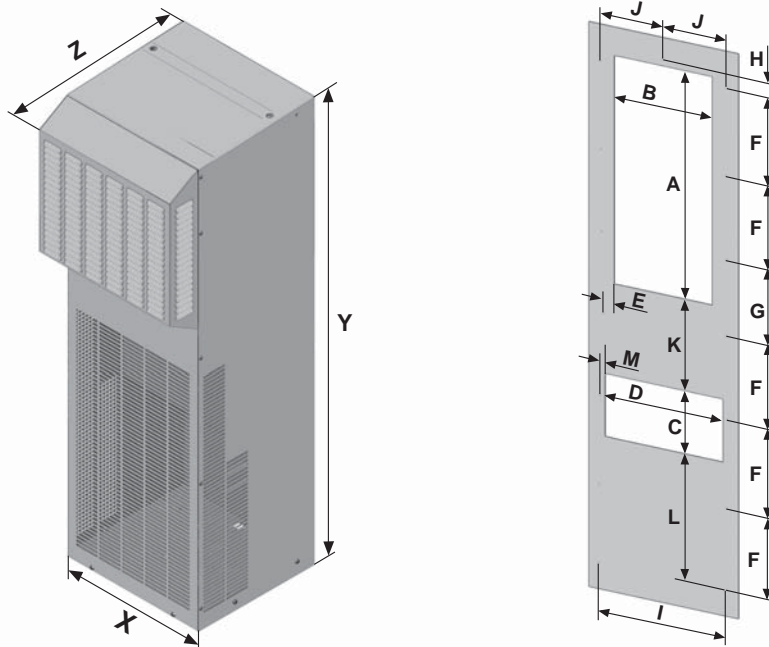


Dimensions

	X	Y	Z	A	B	C	D	E	F	G	H	I	J	K	L	M
mm	483	1502	534	590	285	150	380	67.5	216	280	26	420	210	310	320	20

Mounting holes \varnothing 10 mm

DTS 3561/3581



DTS 3361 (NEMA 3R/4)

Cooling unit 2800 W

DTS 3381 (NEMA 4/4X)

Cooling unit 2800 W



- Particularly suitable for the food industry and outdoor applications
- High protection system IP 56, maintenance-free
- Optionally available in stainless steel
- Condenser with 3 mm fin spacing, highly effective protection against strongly contaminated and aggressive ambient air
- Large distance between intake and exhaust vents, safe circulation within the electrical enclosure due to long passage of air, therefore hot spots are eliminated
- Integrated condensate evaporation system

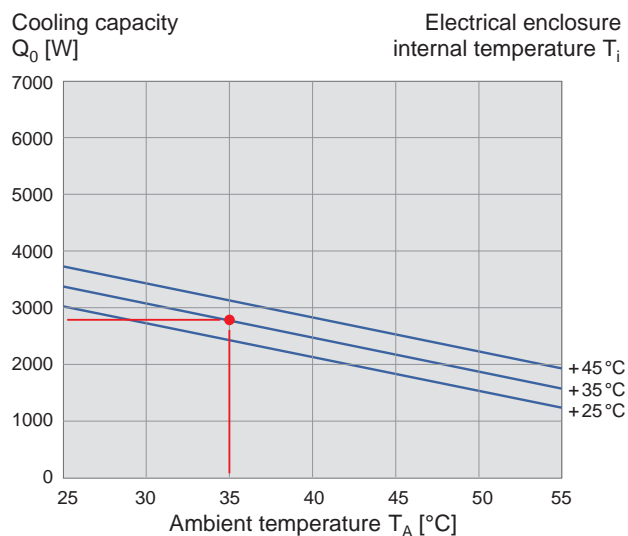
Data		DTS 3361 (NEMA 3R / 4)	DTS 3381 (NEMA 4 / 4X)	Unit
Article number	DTS standard controller	13383032355	13383032158	
		AC 50 Hz / 60 Hz		
Rated voltage ± 10 %		400 / 460 3~		V
Cooling performance according to EN 14511	L35/L35	2800		W
	L35/L50	1800		
Power consumption	L35/L35	1200 / 1600		
Current consumption	L35/L35	3.6		A
Starting current	L35/L35	16		
Unimpeded airflow (free flow)	internal	1400		m³/h
	external	1685		
Pre fuse T		6		A
Type of connection		spring-type terminal included with plug		
Noise level (according to EN ISO 3741)		< 72		dB(A)
Weight (without packaging)		101		kg
Ambient temperature range		+ 15 ... + 55 / + 59 ... + 131		°C / °F
Control range (adjustable)	SC	+ 25 ... + 45 / + 77 ... + 113; factory setting + 35 / + 95		
Refrigerant	type	R134a		
	quantity	1000		g
Duty cycle		100 %		
Condensate management		integrated condensate evaporation system with safety overflow		
Protection system according to NEMA type	3R / 4	towards the electrical enclosure if used as intended by the manufacturer	-	
	4 / 4X	-	towards the electrical enclosure if used as intended by the manufacturer	
	1	towards the surroundings if used as intended by the manufacturer		
Design	housing	galvanised sheet steel		
	cover	galvanised/electrostatically powder coated (200 °C)	304 rust proof stainless steel	
Colour (cover)		RAL 7035 ¹		
Accessories		Piece	Article number	Information on page
Condensate bottle		1	18314000100	59

¹ different colours available on request

Approvals see page 13

Cooling capacity performance curve

DTS 3361/3381

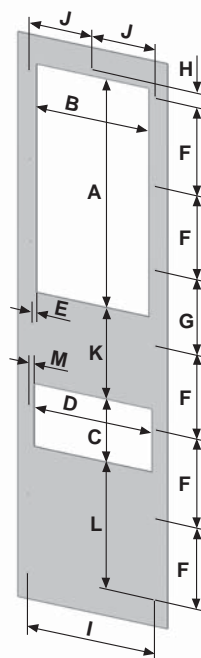
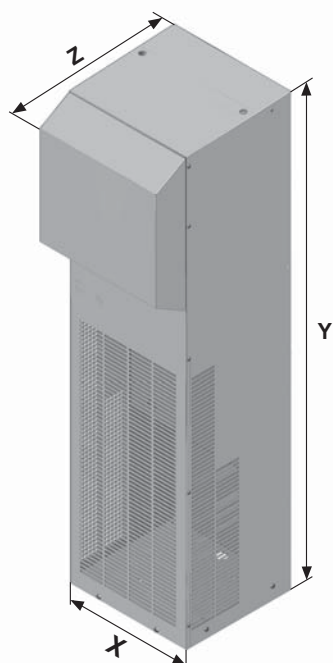


Dimensions

	X	Y	Z	A	B	C	D	E	F	G	H	I	J	K	L	M
mm	403	1502	468	590	285	160	310	32.5	216	280	26	350	175	280	340	20

Mounting holes \varnothing 10 mm

DTS 3361/3381



DTS 3261 (NEMA 3R/4)

Cooling unit 2000 W

DTS 3281 (NEMA 4/4X)

Cooling unit 2000 W



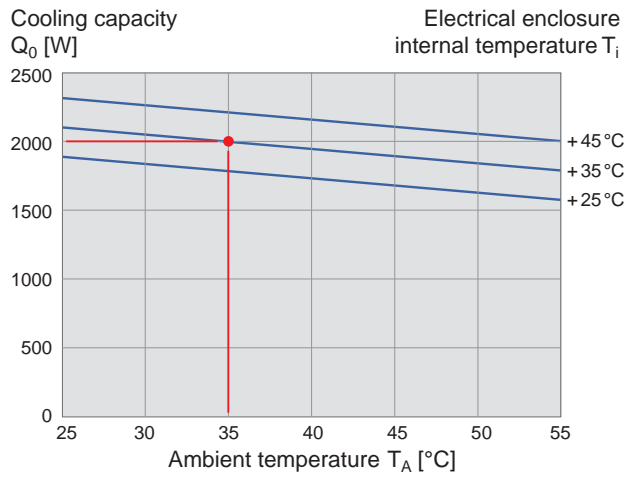
- Compact design, ideal for small control cabinets and larger control cabinets for the cooling of hot spots
- Particularly suitable for the food industry and outdoor applications
- High protection system IP 56, maintenance-free
- Optionally available in stainless steel
- Condenser with 3 mm fin spacing, highly effective protection against strongly contaminated and aggressive ambient air
- Integrated condensate evaporation system

Data		DTS 3261 (NEMA 3R / 4)			DTS 3281 (NEMA 4 / 4X)			Unit
Article number	DTS standard controller	13382732355	13382741355	13382744355	13382732300	13382741300	13382744300	
AC 50 Hz / 60 Hz								
Rated voltage ± 10 %		400 / 460 3~	230	115	400 / 460 3~	230	115	V
Cooling performance according to EN 14511	L35/L35	2000						W
	L35/L50	1850						
Power consumption	L35/L35	1400	1425	1680	1400	1425	1680	
Current consumption	L35/L35	3.5	6.3	14.6	3.5	6.3	14.6	A
Starting current	L35/L35	10	21.8	53	10	21.8	53	
Unimpeded airflow (free flow)	internal	985						m³/h
	external	985						
Pre fuse T		6	10	20	6	10	20	A
Type of connection		spring-type terminal included with plug						
Noise level (according to EN ISO 3741)		< 73						dB(A)
Weight (without packaging)		54			60			kg
Ambient temperature range		+ 15 ... + 55 / + 59 ... + 131						°C / °F
Control range (adjustable)	SC	+ 25 ... + 45 / + 77 ... + 113; factory setting + 35 / + 95						
Refrigerant	type	R134a						
	quantity	700						g
Duty cycle		100 %						
Condensate management		integrated condensate evaporation system with safety overflow						
Protection system according to NEMA type	3R / 4	towards the electrical enclosure if used as intended by the manufacturer			-			
	4 / 4X	-			towards the electrical enclosure if used as intended by the manufacturer			
	1	towards the surroundings if used as intended by the manufacturer						
Design	housing	galvanised sheet steel						
	cover	galvanised/electrostatically powder coated (200 °C); stainless steel on request			304 rust proof stainless steel			
Colour (cover)		RAL 7035 ¹			-			
Accessories		Piece	Article number					Information on page
Condensate bottle		1	18314000100					59

¹ different colours available on request
Approvals see page 13

Cooling capacity performance curve

DTS 3261/3281

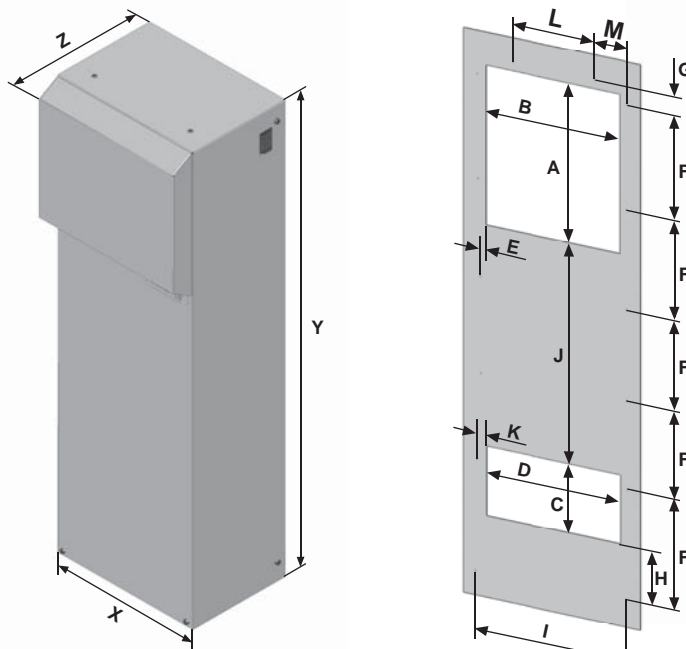


Dimensions

	X	Y	Z	A	B	C	D	E	F	G	H	I	J	K	L	M
mm	395	1209	326	350	330	100	292	15	228.6	38.1	162.3	360	545	34	200	80

Mounting holes \varnothing 8 mm

DTS 3261/3281



DTS 3161 (NEMA 3R/4)

Cooling unit 1100 W

DTS 3181 (NEMA 4/4X)

Cooling unit 1100 W



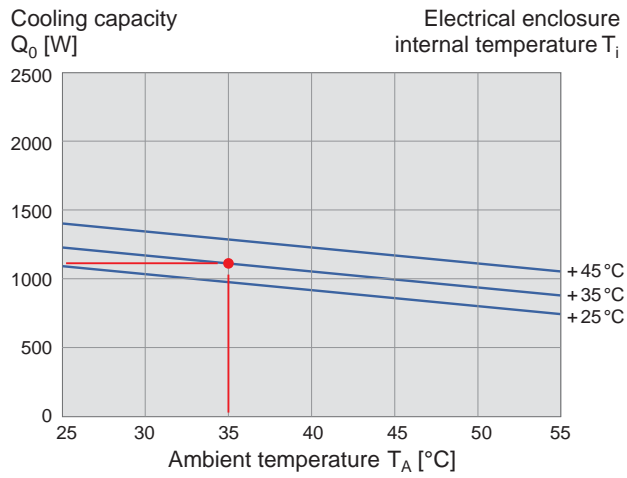
- Compact design, ideal for small control cabinets and larger control cabinets for the cooling of hot spots
- Particularly suitable for the food industry and outdoor applications
- High protection system IP 56, maintenance-free
- Optionally available in stainless steel
- Condenser with 3 mm fin spacing, highly effective protection against strongly contaminated and aggressive ambient air
- Integrated condensate evaporation system

Data		DTS 3161 (NEMA 3R / 4)			DTS 3181 (NEMA 4 / 4X)			Unit
Article number	DTS standard controller	13382449355	13382441355	13382444355	13382449300	13382441300	13382444300	
AC 50 Hz / 60 Hz								
Rated voltage ± 10 %		400 2~	230	115	400 2~	230	115	V
Cooling performance according to EN 14511	L35/L35	1100						W
	L35/L50	950						
Power consumption	L35/L35	860	860	950	860	860	950	
Current consumption	L35/L35	1.9	3.9	7.9	1.9	3.9	7.9	A
Starting current	L35/L35	8	14.9	29.9	8	14.9	29.9	
Unimpeded airflow (free flow)	internal	595						m³/h
	external	595						
Pre fuse T		6	6	10	6	6	10	A
Type of connection		spring-type terminal included with plug						
Noise level (according to EN ISO 3741)		< 70						dB(A)
Weight (without packaging)		43			45			kg
Ambient temperature range		+ 15 ... + 55 / + 59 ... + 131						°C / °F
Control range (adjustable)	SC	+ 25 ... + 45 / + 77 ... + 113; factory setting + 35 / + 95						
Refrigerant	type	R134a						
	quantity	400						g
Duty cycle		100 %						
Condensate management		integrated condensate evaporation system with safety overflow						
Protection system according to NEMA type	3R / 4	towards the electrical enclosure if used as intended by the manufacturer			-			
	4 / 4X	-			towards the electrical enclosure if used as intended by the manufacturer			
	1	towards the surroundings if used as intended by the manufacturer						
Design	housing	galvanised sheet steel						
	cover	galvanised/electrostatically powder coated (200 °C); stainless steel on request			304 rust proof stainless steel			
Colour (cover)		RAL 7035 ¹			-			
Accessories		Piece	Article number					Information on page
Condensate bottle		1	18314000100					59

¹ different colours available on request
Approvals see page 13

Cooling capacity performance curve

DTS 3161/3181

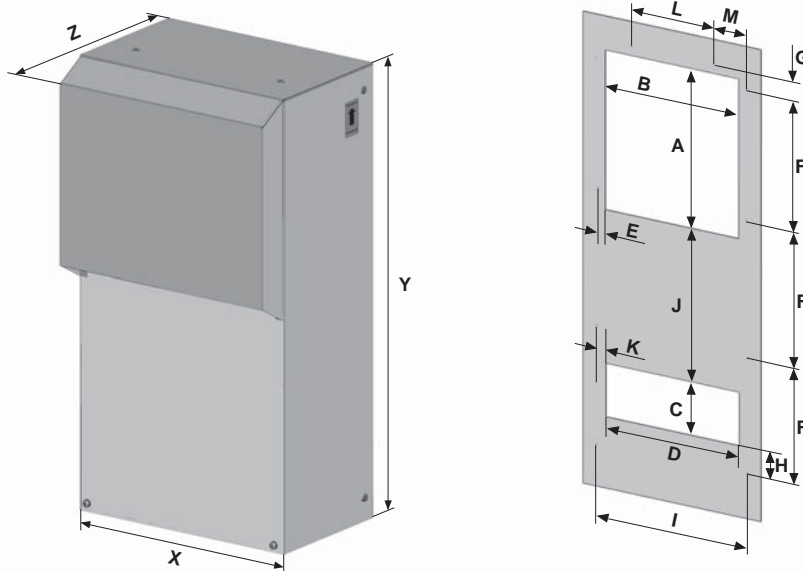


Dimensions

	X	Y	Z	A	B	C	D	E	F	G	H	I	J	K	L	M
mm	395	748	294	300	310	56	292	25	228.6	38.1	81	360	257	34	200	80

Mounting holes \varnothing 8 mm

DTS 3161/3181



DTS 3061 (NEMA 3R/4)

Cooling unit 680 W

DTS 3081 (NEMA 4/4X)

Cooling unit 680 W



- Compact design, ideal for small control cabinets and larger control cabinets for the cooling of hot spots
- Particularly suitable for the food industry and outdoor applications
- High protection system IP 56, maintenance-free
- Optionally available in stainless steel
- Condenser with 3 mm fin spacing, highly effective protection against strongly contaminated and aggressive ambient air
- Integrated condensate evaporation system

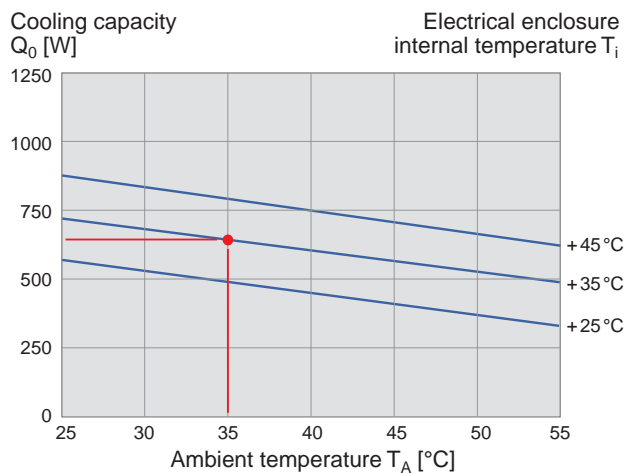
Data		DTS 3061 (NEMA 3R / 4)	DTS 3081 (NEMA 4 / 4X)	Unit
Article number	DTS standard controller	13382341355	13382341300	
		AC 50 Hz / 60 Hz		
Rated voltage ± 10 %		230		V
Cooling performance according to EN 14511	L35/L35	680		W
	L35/L50	475		
Power consumption	L35/L35	724		
Current consumption	L35/L35	3.3		A
Starting current	L35/L35	14.4		
Unimpeded airflow (free flow)	internal	325		m³/h
	external	148		
Pre fuse T		16		A
Type of connection		spring-type terminal included with plug		
Noise level (according to EN ISO 3741)		< 64		dB(A)
Weight (without packaging)		23	25	kg
Ambient temperature range		+ 15 ... + 55 / + 59 ... + 131		°C / °F
Control range (adjustable)		SC	+ 25 ... + 45 / + 77 ... + 113; factory setting + 35 / + 95	
Refrigerant	type	R134a		
	quantity	400		g
Duty cycle		100 %		
Condensate management		condensate drain		
Protection system according to NEMA type	3R / 4	towards the electrical enclosure if used as intended by the manufacturer	-	
	4 / 4X	-	towards the electrical enclosure if used as intended by the manufacturer	
	1	towards the surroundings if used as intended by the manufacturer		
Design	housing	galvanised sheet steel		
	cover	galvanised/electrostatically powder coated (200 °C)	304 rust proof stainless steel	
Colour (cover)		RAL 7035 ¹		
Accessories		Piece	Article number	Information on page
Condensate bottle		1	18314000100	59

¹ different colours available on request

Approvals see page 13

Cooling capacity performance curve

DTS 3061/3081



Dimensions

	X	Y	Z	A	B	C	D	E	F	G	H	I
mm	256	512	274	152.4	230.3	209.6	26.1	203.2	225.6	238.1	14.3	76.1

Mounting holes \varnothing 7.9 mm

DTS 3061/3081

