

GLS

STANDARD FORK SENSOR
with integrated amplifier

- ➔ pre-packaged, very easy to mount through beam sensor (perfect for all standard through beam applications)
- ➔ integrated amplifier
- ➔ high resolution
- ➔ 11 different sizes



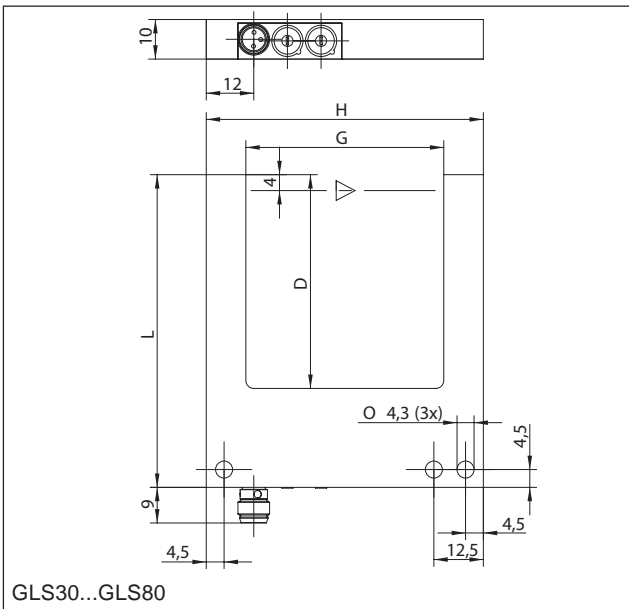
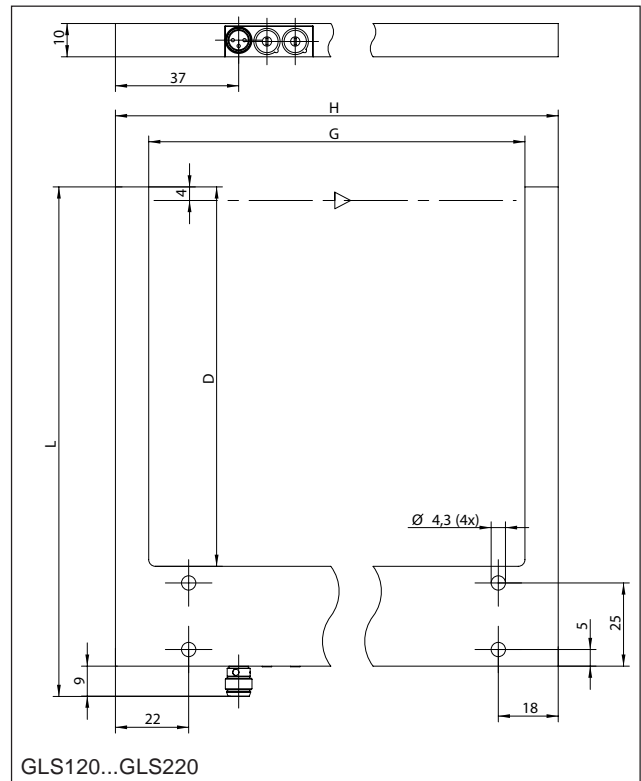
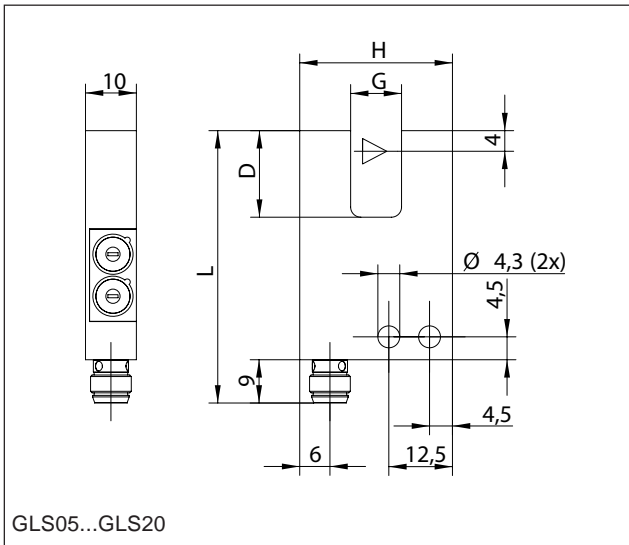
GENERAL TECHNICAL DATA

operating voltage	10...30 VDC, reverse polarity protected
current consumption	< 35 mA
output	PNP or NPN
output current	max. 200 mA, short circuit proof
function indicator	LED, red (on the connector)
frequency response	1500Hz 3000 Hz with GLS05 and GLS10
functional principle	pulsed
switching function	light-on or dark-on selectable
light type	visible red, 644 nm
response time	max. 0,4 ms max. 0,2 ms with GLS05 and GLS10
sensitivity adjustment	Potentiometer, 270°
housing material	aluminium, black anodized
operating temperature	-10°C.. +60°C
protection class	IP65
connector	M8, 3 pin*

*supply cable to be ordered separately

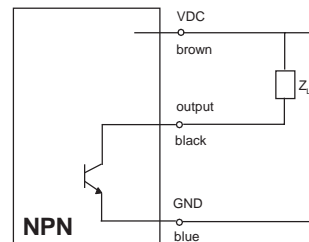
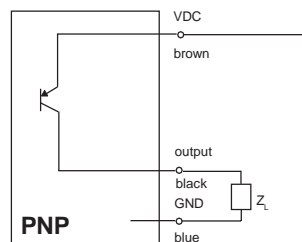
fork width (mm)	resolution	reproducibility	hysteresis
05	0,3mm	0,02mm	< 0,1mm
10	0,3mm	0,02mm	< 0,1mm
20	0,3mm	0,02mm	< 0,1mm
30	0,3mm	0,02mm	< 0,1mm
50	0,5mm	0,04mm	< 0,15mm
80	0,5mm	0,06mm	< 0,2mm
120	0,8mm	0,08mm	< 0,2mm
180	0,8mm	0,08mm	< 0,2mm
220	0,8mm	0,08mm	< 0,2mm

DIMENSIONS

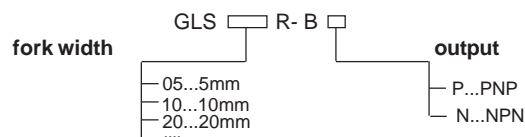


Type:	G:	D:	L:	H:
GLS05R-BP / GLS05R-BN	05mm	17mm	54mm	25mm
GLS10R-BP / GLS10R-BN	10mm	17mm	54mm	30mm
GLS20R-BP / GLS20R-BN	20mm	24mm	58mm	40mm
GLS30R-BP / GLS30R-BN	30mm	34mm	68mm	50mm
GLS50R-BP / GLS50R-BN	50mm	54mm	88mm	70mm
GLS80R-BP / GLS80R-BN	80mm	54mm	88mm	100mm
GLS120R-BP / GLS120R-BN	120mm	54mm	93mm	140mm
GLS180R-BP / GLS180R-BN	180mm	114mm	153mm	200mm
GLS220R-BP / GLS220R-BN	220mm	114mm	153mm	240mm

CONNECTION DIAGRAM



PART DESIGNATION



ORDER EXAMPLE: GLS50R-BP = fork width 50 / red light / pulsed/ PNP

Do not forget to order the appropriate power supply cable!