

FLS03

LABEL DETECTION FORK SENSOR

- 3mm slot width
- integrated amplifier
- robust aluminium housing
- AutoTeach/external-teach or potentiometer
- NPN and PNP - light-on and dark-on
- high resolution

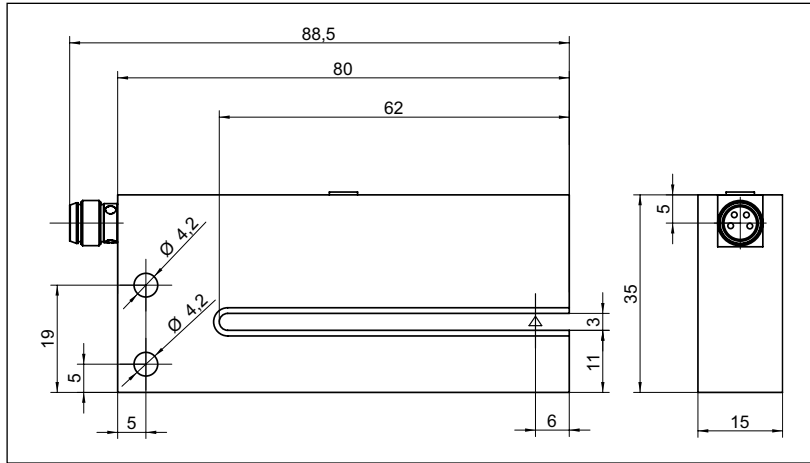


FLS03

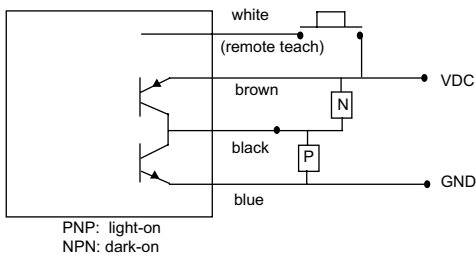
GENERAL TECHNICAL DATA

	FLSP03-AP/N	FLST03-AP/N
operating voltage	10...30 VDC, reverse polarity protected	
current consumption	< 40mA	
output	push-pull; PNP/NPN	
output current	100mA	
function indicator	LED green	
max. frequency response	10kHz	
functional principle	continuous light	
switching function	light-on or dark-on	
light type	infrared 880nm	
response time	50µs	
sensitivity adjustment	potentiometer, multiturn	key or external teach-input
housing material	aluminium, black anodized	
operating temperature	-10°C...+60°C	
protection class	IP50	
max. light immunity	3000 lux	
resolution	0.5mm	1mm
reproducibility	0.1mm	
hystereses	<0.4mm	

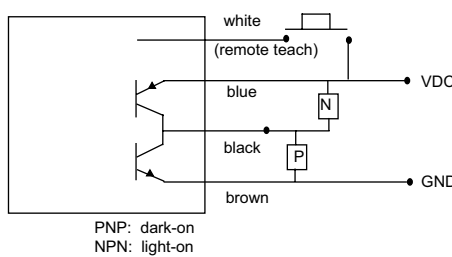
DIMENSION



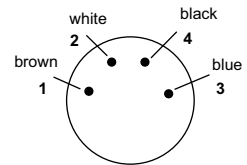
CONNECTION DIAGRAM



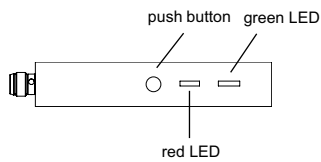
for **FLST03-AP/N**: PIN 2 remote teach-in
If the remote teach-in (white) is not used, link it to GND!



for **FLSP03-AP/N**: PIN 2 is not connected

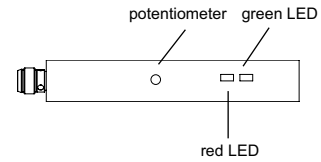


SET UP INSTRUCTION for FLST03-AP/N:



1. insert label, then push button (or remote: min.50ms) → red LED blinking slow (regardless if button is pressed or not) teach-in mode starts
2. move label through the sensor (min. 3 labels) → teach-in mode still active
3. push button again (or remote: min. 50ms) → teach-in procedure is finished
4. if no label is detected → red LED blinking fast
5. after succesful teach-in → green LED on (without label)

for FLSP03-AP/N:



1. insert label backing
 2. turn potentiometer to the left until red LED lights
 3. turn potentiometer to the right until green LED lights
 4. turn potentiometer 1 to 3 rotations further to the right depending on contrast between backing and label
 5. after successful teach-in:
- red LED on with label
 - green LED on without label

PART DESIGNATION

FLSP03-AP/N = fork width 3mm - Potentiometer - PNP and NPN

FLST03-AP/N = fork width 3mm - AutoTeach - PNP and NPN

Please do not forget to order the appropriate power supply cable!