



Subject to change without notice!
Rev. 0701

Metal separator M-Pulse / Digital+ / MESEP

GF

Application

Due to its' design this separator can be used in nearly all branches of industry. Because of the stainless steel housing the GF also is appropriate for applications in the food industry. Transmission ports with a maximum diameter of 300 mm allow an extremely high material throughput at maximum sensitivity. This brings advantages for the use in filling systems. The device can be equipped with various separating filters. The operating electronics can be fixed in a maximum distance of 3 meters. By this the GF is easy to handle even in places that are difficult to access.



Metal separator GF

Function

In the upper part of the separator the sensor coil of the metal detector is situated. If metal falls through the sensor the signal is collected and processed by the operating electronics. Subsequently the electronics precisely excites the pulse for piloting the ejection flap. The flap is opened and metal is separated from the product stream. The robust, pneumatic-driven mechanics guarantees durability. Depending on the electronics the function of the ejection can be monitored. Further installations, for example a pressure control device, constantly control the correct function.

Specific Characteristics

- maintenance-free mechanics
- very big transmission ports available
- robust, pneumatic-driven ejection mechanics (optional)
- according to the application different electronics available
- design with or without ejection mechanics available
- protection class IP65
- stainless steel housing
- supporting frame can be integrated in existing constructions



Type ⁴	GF 100	GF 120	GF 150	GF 200	GF 250	GF 300						
Mechanical data												
Height with ejection unit	600 mm	720 mm	850 mm	1.200 mm	1.395 mm	1.605 mm						
Dimensions (W x D)	318 x 450 mm	338 x 450 mm	400 x 502 mm	508 x 615 mm	685 x 800 mm	800 x 940 mm						
Material-ejection unit	stainless steel											
Material-base frame	stainless steel											
Material-protection tube ²	POM											
Conditions of use												
Storage temperature	-10°C .. 60°C											
Operating temperature	0°C .. 50°C											
Protection class	IP65											
Electrical connection	see datasheet of the control unit											
Pneumatic connection	4-6 bar, filtered, free of water and oil; self-sealing-coupling - fitting NW 7,2											
Troughput ³	16.000 l/h	25.000 l/h	43.000 l/h	82.000 l/h	135.000 l/h	200.000 l/h						
Bulk characteristics	free flowing											
Sensitivity¹												
Material - Test pieces	Fe	SS	Fe	SS	Fe	SS	Fe	SS	Fe	SS	Fe	SS
M-Pulse	0,5	1,0	0,7	1,2	0,8	1,4	1,2	2,0	1,5	2,2	1,7	2,5
Digital+	0,5	1,2	0,8	1,4	0,9	1,6	1,3	2,2	1,6	2,5	1,8	2,8
MESEP	not available		3,0	4,0	4,0	5,0	4,0	5,0	n. available			

Ordering code:

Electronic

M-Pulse / Digital+ / MESEP

Type of separator

GF 100 - GF 300

(e.g.: MESEP GF 300)

¹ The actual sensitivity depends on various factors. Unfavourable environmental conditions or vibrations can reduce the sensitivity. Conductive test material can also influence the sensitivity. For obliging information please contact our service or sales department. Our service includes product tests in our headquarters. (all data in mm)

² Other materials available.

³ Measured with granulate PET - grain dimension 2 - 3mm.

⁴ Bigger dimensions and in-between sizes available on request.



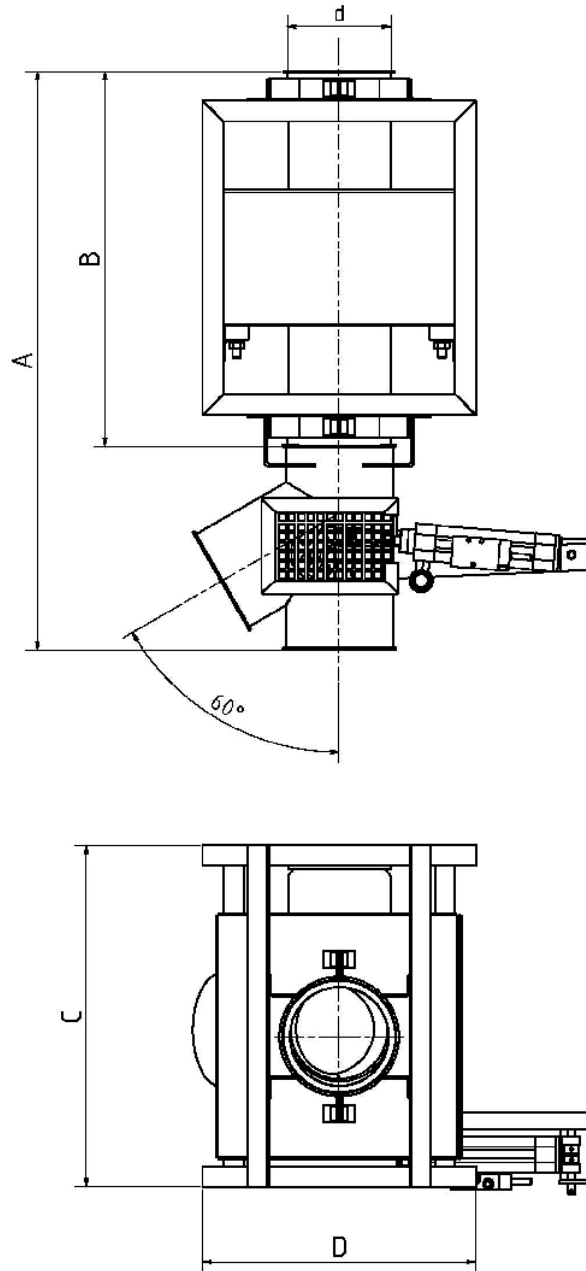
Delivery programm & accessories

All devices of the GF series are serially delivered without ejection mechanics. Adapted mechanics are separately available for all dimensions. For the connecting of the device to a piping optionally a kit consisting of 3 welding socket pieces, 3 snap closing circlips and 3 cooper gaskets are available. Please inform us about the necessary accessories when placing your order.

Designation	Order number
Pneumatic guard	When ordering please add option 45
Wear-resistant model (for very abrasive bulk material)	When ordering please add option 44
Ejector guard (Indicats malfunction of the ejection unit)	When ordering please specify
Ejection flap EX-S-100	08410192011
Ejection flap EX-S-120	08410192012
Ejection flap EX-S-150	08410192013
Ejection flap EX-S-200	08410192014
Ejection flap EX-S-250	08410192015
Ejection flap EX-S-300	08410192016
Ejection flap EX-K-100 wear-resistant w. maintenance opening	08410193022
Ejection flap EX-K-100 wear-resistant w. window	08410193015
Ejection flap EX-K-120 wear-resistant w. maintenance opening	08410193023
Ejection flap EX-K-120 wear-resistant w. window	08410193012
Ejection flap EX-K-150 wear-resistant w. maintenance opening	08410193024
Ejection flap EX-K-150 wear-resistant w. window	08410182013
Ejection flap EX-K-200 wear-resistant w. maintenance opening	08410193025
Ejection flap EX-K-200 wear-resistant w. window	08410182016
Ejection flap EX-K-250 wear-resistant w. maintenance opening	08410193026
Ejection flap EX-K-250 wear-resistant w. window	08410182014
Ejection flap EX-K-300 wear-resistant w. maintenance opening	08410193027
Connecting kit GF / GFC 100	08410310000
Connecting kit GF / GFC 120	08410310001
Connecting kit GF / GFC 150	08410310002
Connecting kit GF / GFC 200	08410310003
Connecting kit GF / GFC 250	08410310004
Connecting kit GF / GFC 300	08410310005

Metal separator GF

Dimensions



Type	GF 100	GF 120	GF 150	GF 200	GF 250	GF 300
Dimension A	600 mm	710 mm	850 mm	1200 mm	1395 mm	1605 mm
Dimension B	400 mm	490 mm	550 mm	790 mm	935 mm	1100 mm
Dimension C	450 mm	450 mm	500 mm	615 mm	800 mm	940 mm
Dimension D	318 mm	338 mm	400 mm	508 mm	685 mm	800 mm