

Accessories for safety light curtains

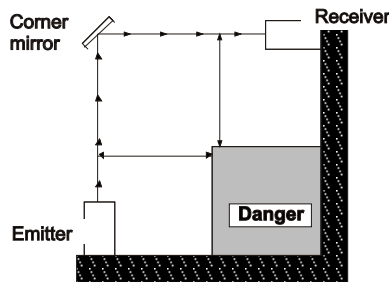
Corner mirrors

Guarding 2 or 3 sides of a hazardous point of area or machine by means of corner mirrors associated to one safety light curtain

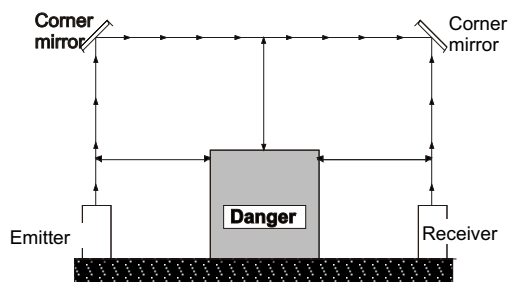
It should be noted that the scanning range will be then decreased by 20 % for each corner mirror. The use of more than 2 corner mirrors is not to be recommended due to alignment difficulties that may occur.

BX4 safety light curtain

The sum of the 2 sides to be protected should not be over 9,6 m for BX4-30-. and 4 m for BX4-14-.



The sum of the 2 sides to be protected should not be over 7,6 m for BX4-30-. and 3,2 m for BX4-14-.

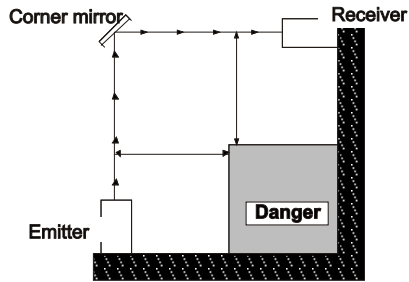


References of the corner mirrors to be associated with the safety light curtains

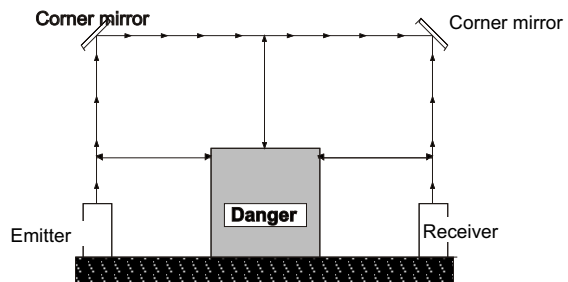
| Light curtain reference | Light curtain reference | Corner mirror reference | Corner mirror height | Light curtain reference | Light curtain reference | Corner mirror reference | Corner mirror height |
|-------------------------|-------------------------|-------------------------|----------------------|-------------------------|-------------------------|-------------------------|----------------------|
| BX4-30-150 | BX4-14-150 | MR0001 | 310 mm | BX4-30-850 | BX4-14-915 | MR0004 | 1020 mm |
| BX4-30-250 | BX4-14-275 | MR0001 | 310 mm | BX4-30-950 | | MR0005 | 1110 mm |
| BX4-30-350 | | MR0002 | 550 mm | BX4-30-1050 | BX4-14-1045 | MR0005 | 1110 mm |
| BX4-30-450 | BX4-14-405 | MR0002 | 550 mm | BX4-30-1150 | BX4-14-1175 | MR0006 | 1310 mm |
| BX4-30-550 | BX4-14-535 | MR0003 | 790 mm | BX4-30-1250 | | MR0006 | 1310 mm |
| BX4-30-650 | BX4-14-660 | MR0003 | 790 mm | BX4-30-1350 | BX4-14-1300 | MR0007 | 1510 mm |
| BX4-30-750 | BX4-14-790 | MR0004 | 1020 mm | BX4-30-1450 | BX4-14-1430 | MR0007 | 1510 mm |

CA4 / CP4 safety light curtain

The sum of the 2 sides to be protected should not be over 9,6 m for CA4 ... and 40 m for CP4 ...



The sum of the 2 sides should not be over 7,6 m for CA4 ... and 32 m for CP4 ...



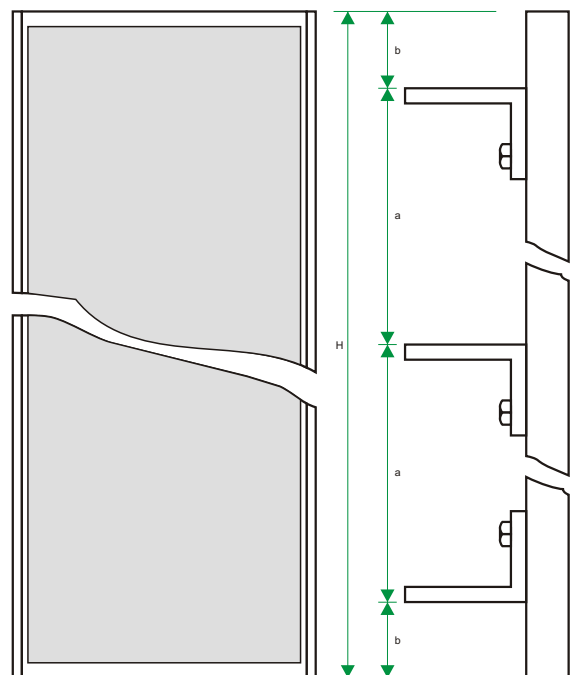
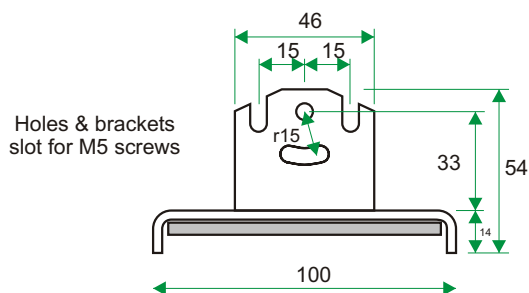
References of the corner mirrors to be associated with the safety light curtains

| Light curtain reference | Light curtain reference | Corner mirror reference | Corner mirror height |
|-------------------------|-------------------------|-------------------------|----------------------|
| CA4-500-2 | CP4-500-2 | MR0002 | 550 mm |
| CA4-400-3 | CP4-400-3 | MR0004 | 1020 mm |
| CA4-300-4 | CP4-300-4 | MR0004 | 1020 mm |

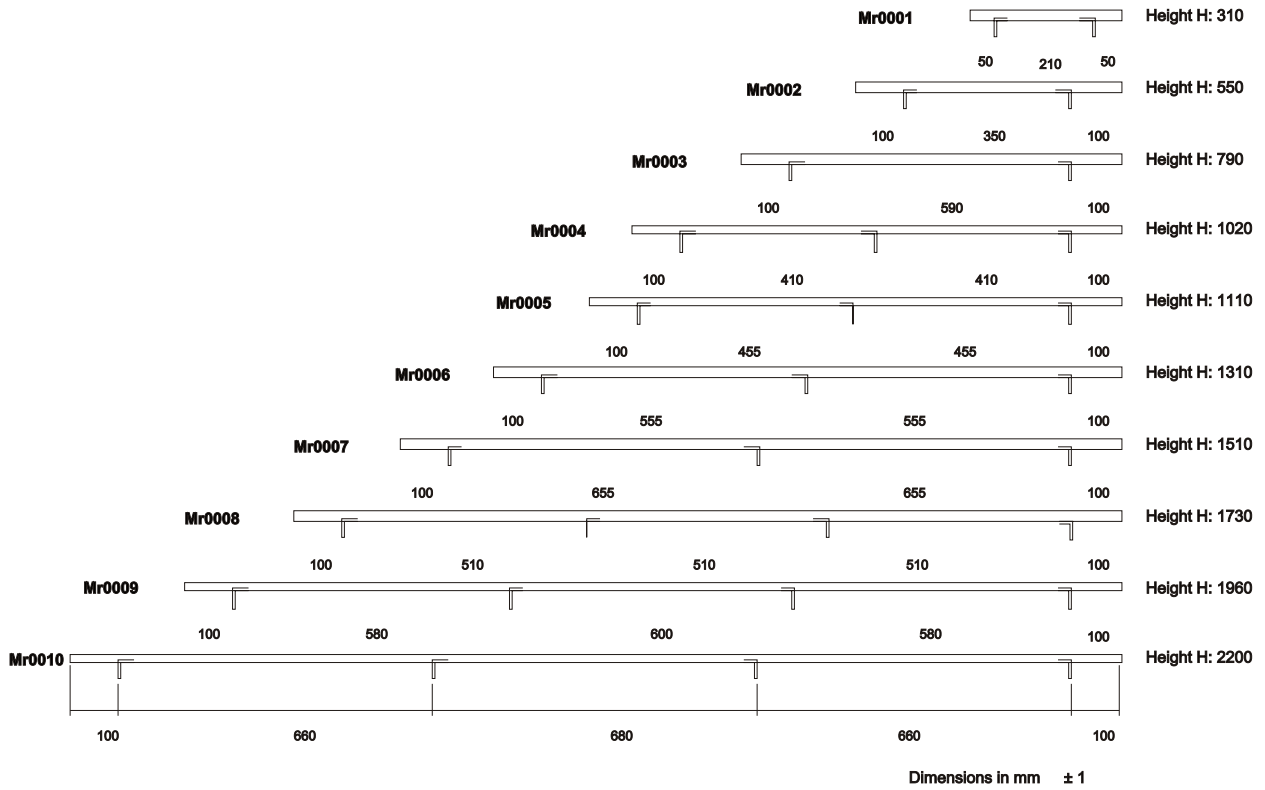
| Light curtain reference | Light curtain reference | Corner mirror reference | Corner mirror height |
|-------------------------|-------------------------|-------------------------|----------------------|
| CA4-300-5 | CP4-300-5 | MR0006 | 1310 mm |
| CA4-300-6 | CP4-300-6 | MR0007 | 1510 mm |
| CA4-300-7 | CP4-300-7 | MR0009 | 1960 mm |

Features

3 mm thickness steel alloy coated with epoxy painting
All dimensions are given in mm ± 1 mm



References and dimensions .

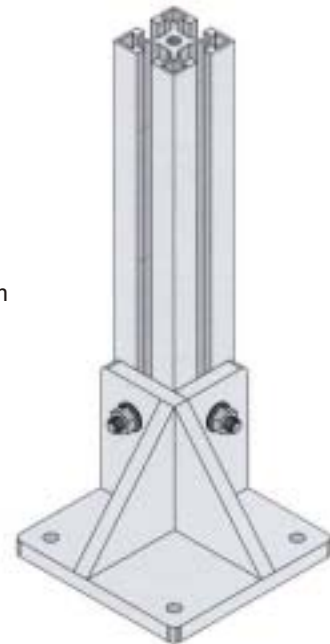
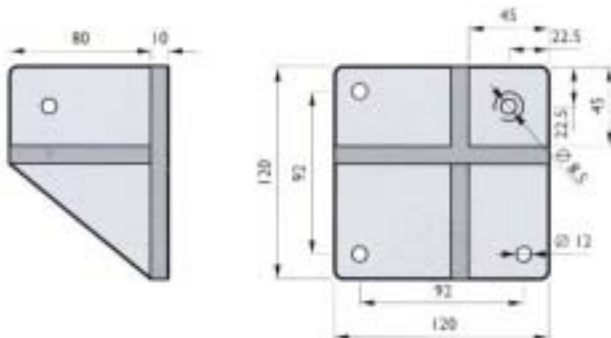


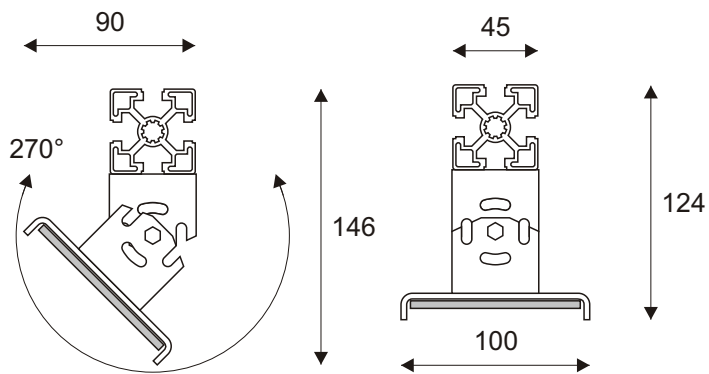
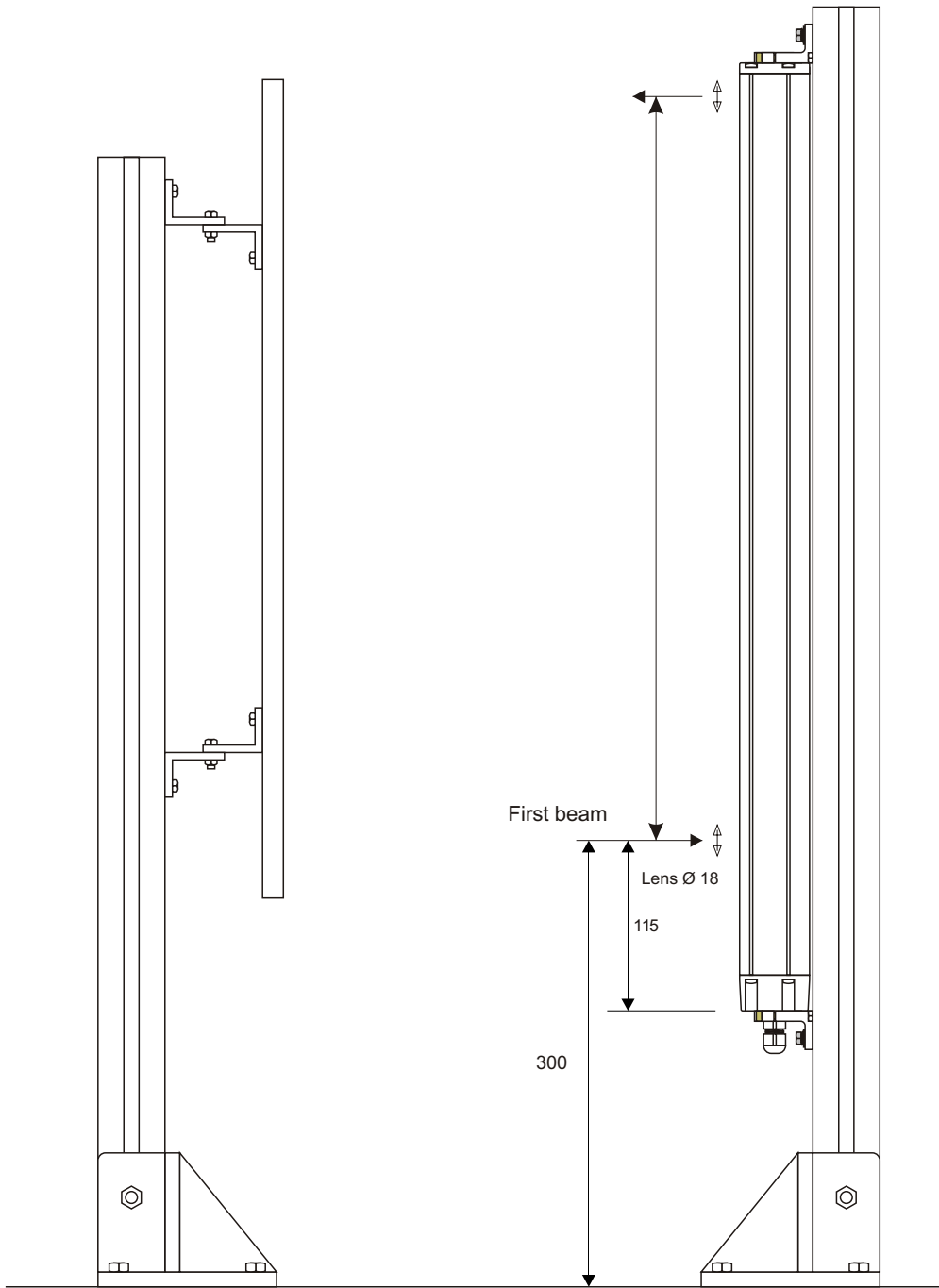
Supporting mechanics for corner mirror and safety light curtain

| Reference | |
|-------------|---|
| POTCABXMR01 | Base and mechanic for BX/CA/MR H= 1,5 m |
| POTCABXMR02 | Base and mechanic for BX/CA/MR H= 1,8 m |
| KITFIXBXCA | Fixing set safety light curtain emitter or receiver |
| KITFIXMR01 | Fixing set for MR0001 - 02 - 03 |
| KITFIXMR02 | Fixing set for MR0004 - 05 - 06 - 07 |
| KITFIXMR03 | Fixing set for MR0008 - 09 |

Base : aluminium cast
dimension 120 x 120 x 90 mm
To be mounted (supplied with screws)

Aluminium profile : section 45 x 45 mm
height 1,5 m
height 1,8 m





Holes & bracket slot
for M5 screws