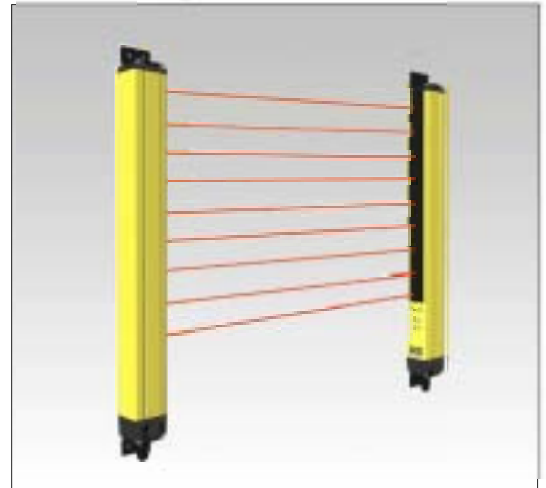


Detection light grid

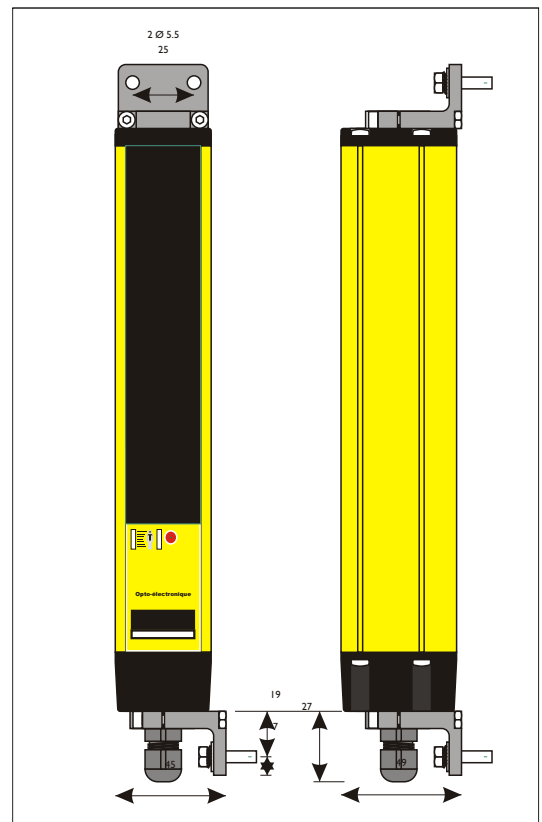
Digital or analog output - BDA Series

- . Used to detect, measure and control the position of objects.
- . Outputs : discrete : static PNP output - short circuit protection
: analog : 0/10 V corresponding to the n1st lights ON.
- . Compact dimensions : 39 x 47 mm.
- . Optical synchronisation. No cable link between emitter and receiver.
- . Easy installation.
- . Operating distance : up to 3,5 m (12 m on demand)
- . Detection field height : 150 to 1850 mm (higher on demand).
- . Painted aluminium housing particularly suitable to the industrial environment.
- . Enclosure rating : IP 65



Technical data

Power supply	24 Vdc \pm 10%
Consumption	250 mA
ECM compatibility	EC marked
Light source	Infrared
Operating range	Up to 3,5 m (12 m on demand)
Beam gap	25 mm (resolution 35 mm)
Detection field height	150 to 1850 mm (higher on demand)
Output	discrete output :static PNP 50 mA - short circuit protection analog output : 0/10 V corresponding to the n 1st lights ON.
Response time	10 mS for the discrete output 100 mS for the analog output
Indicators	Red LED ON when lights ON Red LED flashing when lights OFF
Operating temperature	0 50°C
Housing material	painted aluminium
Enclosure rating	IP 65 PG7 cable glands
Fixing	mounting brackets



tectra

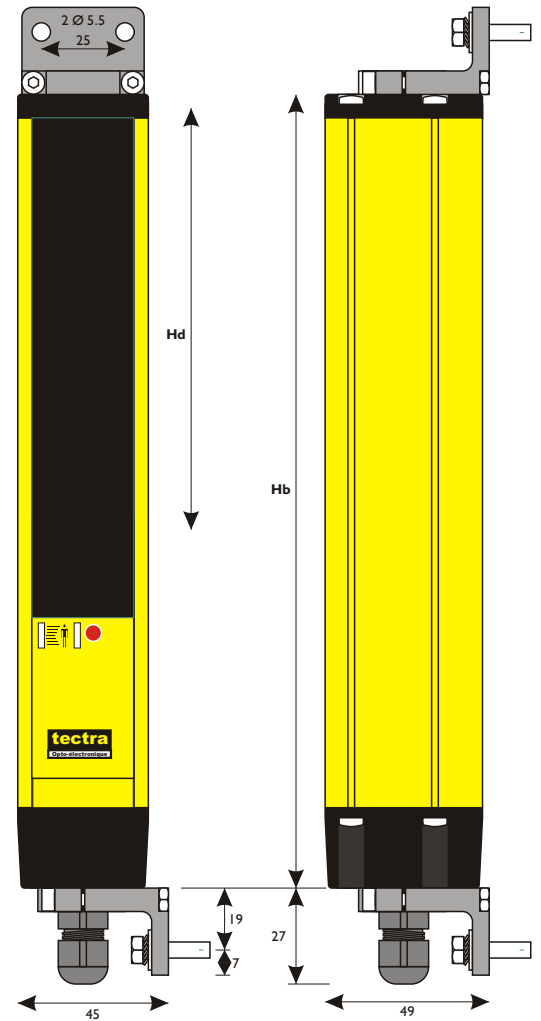
Opto-électronique

AUTOMATICA

Automática Electrónica y Control, S.L. Gorina i Pujol, 61 - 08203 Sabadell (Barcelona)
Tel 902 900 765 Fax 937 209 999 info@automatica-elec.es www.automatica-elec.es

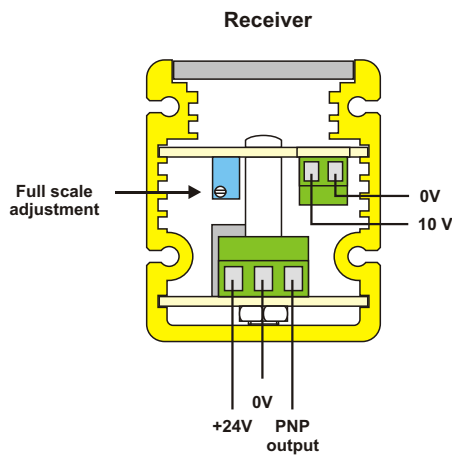
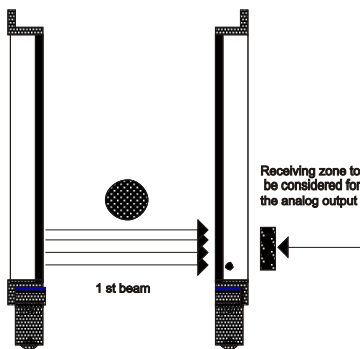
Dimensions and references

Detection field height : Hd	Housing height : Hb	Number of beams :	Reference Discrete output :	Reference Analog output :
152	207	5	BD-30-150	BDA-30-150
252	307	9	BD-30-250	BDA-30-250
352	407	13	BD-30-350	BDA-30-350
452	507	17	BD-30-450	BDA-30-450
552	607	21	BD-30-550	BDA-30-550
652	707	25	BD-30-650	BDA-30-650
752	807	29	BD-30-750	BDA-30-750
852	907	33	BD-30-850	BDA-30-850
952	1007	37	BD-30-950	BDA-30-950
1052	1107	41	BD-30-1050	BDA-30-1050
1152	1207	45	BD-30-1150	BDA-30-1150
1252	1307	49	BD-30-1250	BDA-30-1250
1352	1407	53	BD-30-1350	BDA-30-1350
1452	1507	57	BD-30-1450	BDA-30-1450
1552	1607	61	BD-30-1550	BDA-30-1550
1652	1707	65	BD-30-1650	BDA-30-1650
1752	1807	69	BD-30-1750	BDA-30-1750
1852	1907	73	BD-30-1850	BDA-30-1850

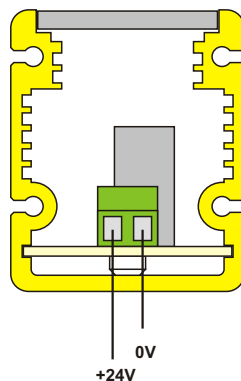


Connection

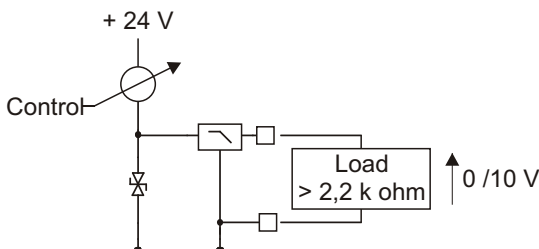
Analog output 0 ... 10 V :



Emitter



Selection : sum of n first lights ON
Analog output : picture of n 1st lights ON



PNP output

