

# Safety light curtain with IP67 housing

## IP67 housing for BX4. & CA4.

Using the BX4....30 safety light curtain in an IP67 housing ensures a reliable protection for operators working on hazardous machine in the food processing industry.

The materials used for the IP67 housing series meet the requirements in relation to the food processing industry (detergents, aggressive cleaning agents, high pressure cleaners).

- PMMA polymere tube
- end caps and mounting flange in PVC-U
- washing at a pressure of 40 psi with a distance of 50 cm
- ambient operating temperature : 0 to 50° C
- sealing : IP67
- Using IP67 housing reduces resolution by 20 %.

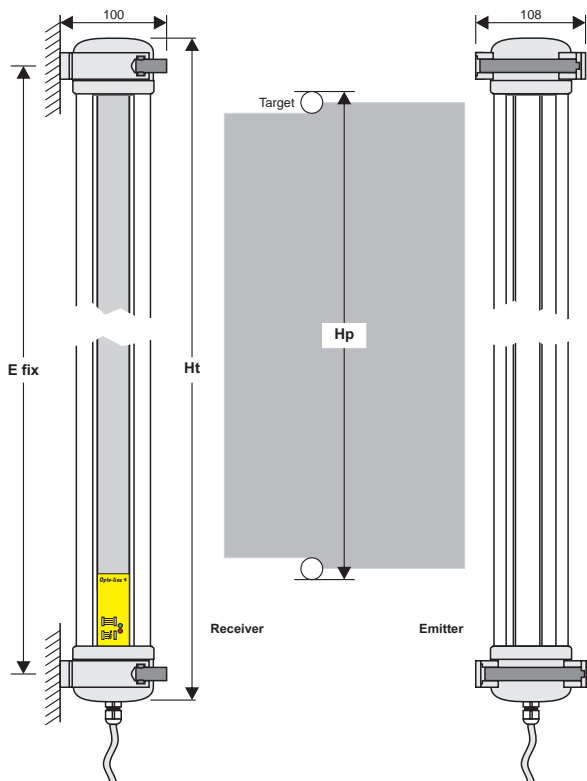


## Characteristics

BX4-...-HP and CA4-...-HP series safety light curtains have the same electrical characteristics as the BX4-...-standard series.

They are delivered with a 5 M PVC cable and a fixing kit.

## Dimensions and references



Reference	Hp	E fix	Ht
BX4-30-150 HP	152	235	287
BX4-30-250 HP	252	335	387
BX4-30-350 HP	352	435	487
BX4-30-450 HP	452	535	587
BX4-30-550 HP	552	635	687
BX4-30-650 HP	652	735	787
BX4-30-750 HP	752	835	887
BX4-30-850 HP	852	935	987
BX4-30-950 HP	952	1035	1087
BX4-30-1050 HP	1052	1135	1187
BX4-30-1150 HP	1152	1235	1287
BX4-30-1250 HP	1252	1335	1387
BX4-30-1350 HP	1352	1435	1487
BX4-30-1450 HP	1452	1535	1587
BX4-30-1550 HP	1552	1635	1687
BX4-30-1650 HP	1652	1735	1787
BX4-30-1750 HP	1752	1835	1887
BX4-30-1850 HP	1852	1935	1987

Reference	Hp	E fix	Ht
BX4-14-150 HP	149	262	313
BX4-14-275 HP	277	390	441
BX4-14-405 HP	405	518	569
BX4-14-535 HP	533	646	697
BX4-14-660 HP	661	774	825
BX4-14-790 HP	789	902	953
BX4-14-915 HP	917	1030	1081
BX4-14-1045 HP	1045	1158	1209
BX4-14-1175 HP	1173	1286	1337
BX4-14-1300 HP	1301	1414	1465
BX4-14-1430 HP	1429	1542	1593
BX4-14-1555 HP	1557	1670	1721
BX4-14-1685 HP	1685	1798	1849

Reference	Hp	E fix	Ht
CA4-500-2 HP	900/sol	635	687
CA4-400-3 HP	1100/sol	935	987
CA4-300-4 HP	1200/sol	1035	1087

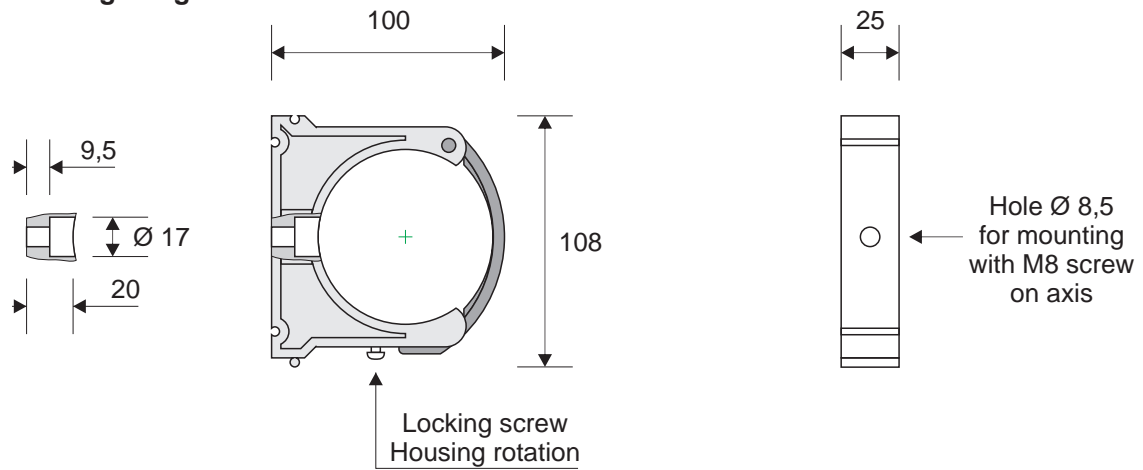
**tectra**

Opto-électronique



Automática Electrónica y Control, S.L. Lacy, 32 Acc - 08202 Sabadell (Barcelona)  
Tel 93 720 70 66 Fax 937 209 999 info@automatica-elec.es www.automatica-elec.es

### Mounting flange :



### Cable connection & terminals

Receiver terminal n° :

- 6 : Output 2 / white
- 7 : Shield /  $\perp$  0 V / Blue
- 8 : 24 Vdc / Red
- 9 : 0 V / A2 / Green
- 10 : Output 1 / Yellow

Emitter terminal n° :

- 1 : Sortie Info. / Blanc
- 2 : Shield /  $\perp$
- 3 : 24 Vdc / Red
- 4 : 0 V / Blue
- 5 : Test Entry / Yellow

► LG5925.48 safety relay with automatic start

